

# STERLING

A KOHLER COMPANY

## All Pro®

### 60" bath/shower with Aging in Place backer boards with right-hand drain



#### Features

- 15" apron.
- Tongue-and-groove walls with snap-together installation.
- Lightly textured swirl-gloss finish.
- Full caulking required in all seams.
- Four shelves, 18 towel bar.
- Aging in Place backerboards.

#### Material

- Made from solid Vikrell® material for strength, durability, and lasting beauty.

#### Installation

- Alcove.
- Right drain.

#### Recommended Products/Accessories

- K-23726 Drain treatment
- K-23733 Vikrell® cleaner

#### Included Components

Product consists of:

- 61041120 60" bath with right-hand drain
- 61044106 60" bath/shower wall set w/Aging in Place backerboards



#### Codes/Standards

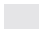

- CSA B45.5/IAPMO Z124
- ASTM E162
- ASTM E662
- HUD, UM Bulletin 73

#### Warranty – Bathing Fixtures (and) Kitchen and Utility Sinks Made of Solid Vikrell® Material

See website for detailed warranty information.

#### Available Colors/Finishes

*Color tiles intended for reference only.*

Color	Code	Description
	0	White
	96	KOHLER Biscuit

1-800-STERLING (1-800-783-7546)

Kohler Co. reserves the right to make revisions without notice to product specifications.

For the most current Specification Sheet, go to [www.sterlingplumbing.com](http://www.sterlingplumbing.com).

5-6-2020 09:53 - US

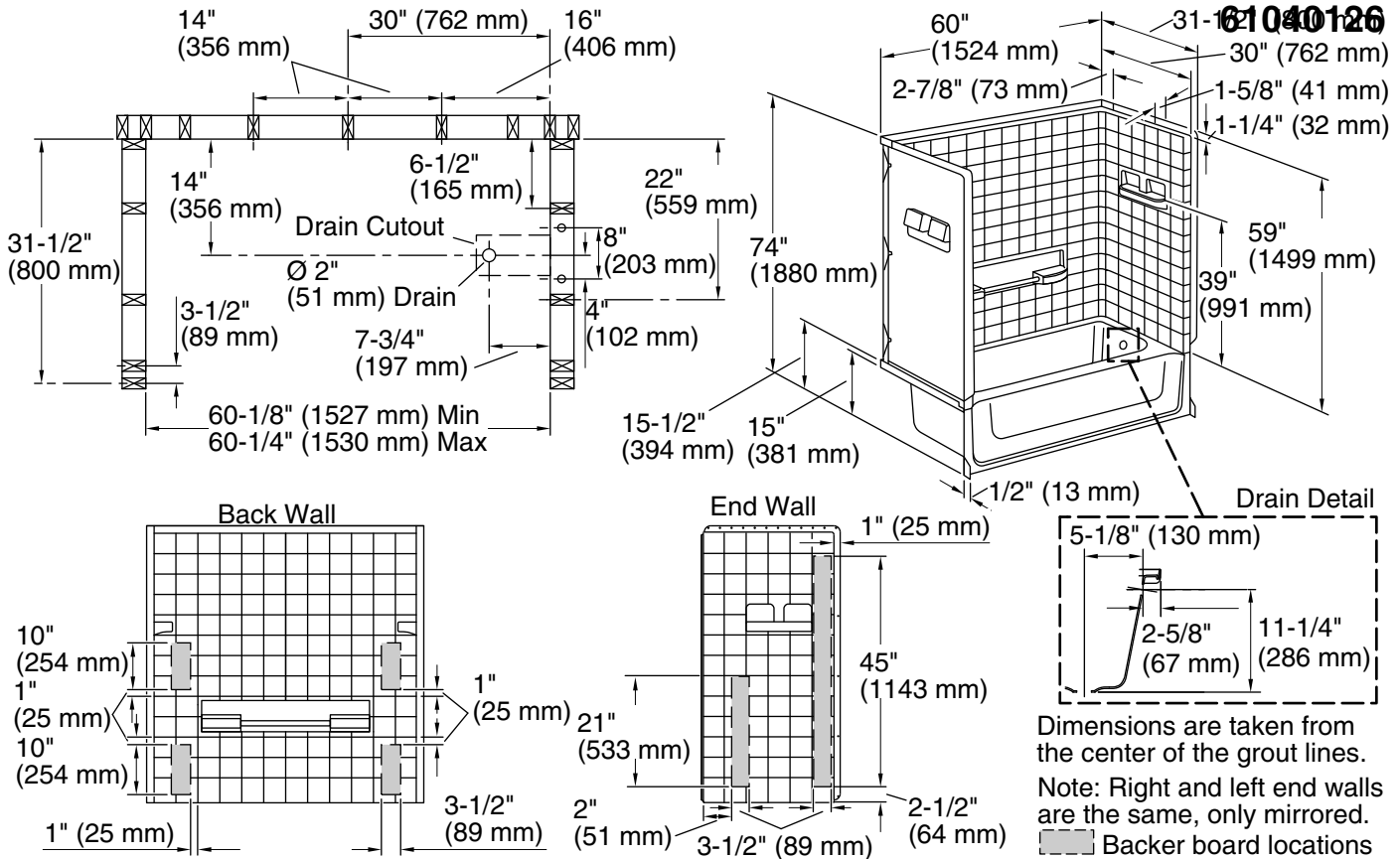
# STERLING

A KOHLER COMPANY

## All Pro®

### 60" bath/shower with Aging in Place backer boards with right-hand drain

#### 61040126



### Technical Information

All product dimensions are nominal.

- Installation: Three-wall alcove  
Drain location: Right  
Basin area, bottom: 48" x 21" (1219 mm x 533 mm)  
Basin area, top: 55" x 23" (1397 mm x 584 mm)  
Water depth: 10-1/4" (260 mm)  
Water capacity: 35 gal (132.5 L)  
Minimum flat for door: 2-1/4" (57 mm)  
Maximum door height: 57-3/4" (1467 mm)  
Maximum door width: 57-1/2" (1461 mm)

### Notes

- Install this product according to the installation instructions.  
Studs should be positioned roughly as shown.  
Double studding is recommended for pivot shower door installations.

1-800-STERLING (1-800-783-7546)

Kohler Co. reserves the right to make revisions without notice to product specifications.

For the most current Specification Sheet, go to [www.sterlingplumbing.com](http://www.sterlingplumbing.com).

5-6-2020 09:53 - US