



All Pro® Performa™

60" Bath/Shower

61040120



Features

- Alcove installation
- 15" apron
- Solid Vikrell material
- Right drain
- Tongue-and-groove walls with snap-together installation
- Lightly textured swirl-gloss finish
- Full caulking required in all seams
- Four shelves, 18" towel bar

Included Components

Product consists of:

61044100 60" Bath/Shower Wall Set

61041120 60" x 30" Bath



Codes/Standards

CSA B45.5/IAPMO Z124

ASTM E162

ASTM E662

Greenguard UL 2818 - Gold



HUD, UM Bulletin 73

Warranty – Bathing Fixtures (and) Kitchen and Utility Sinks Made of Solid Vikrell® Material

See website for detailed warranty information.

Available Colors/Finishes

Color tiles intended for reference only.

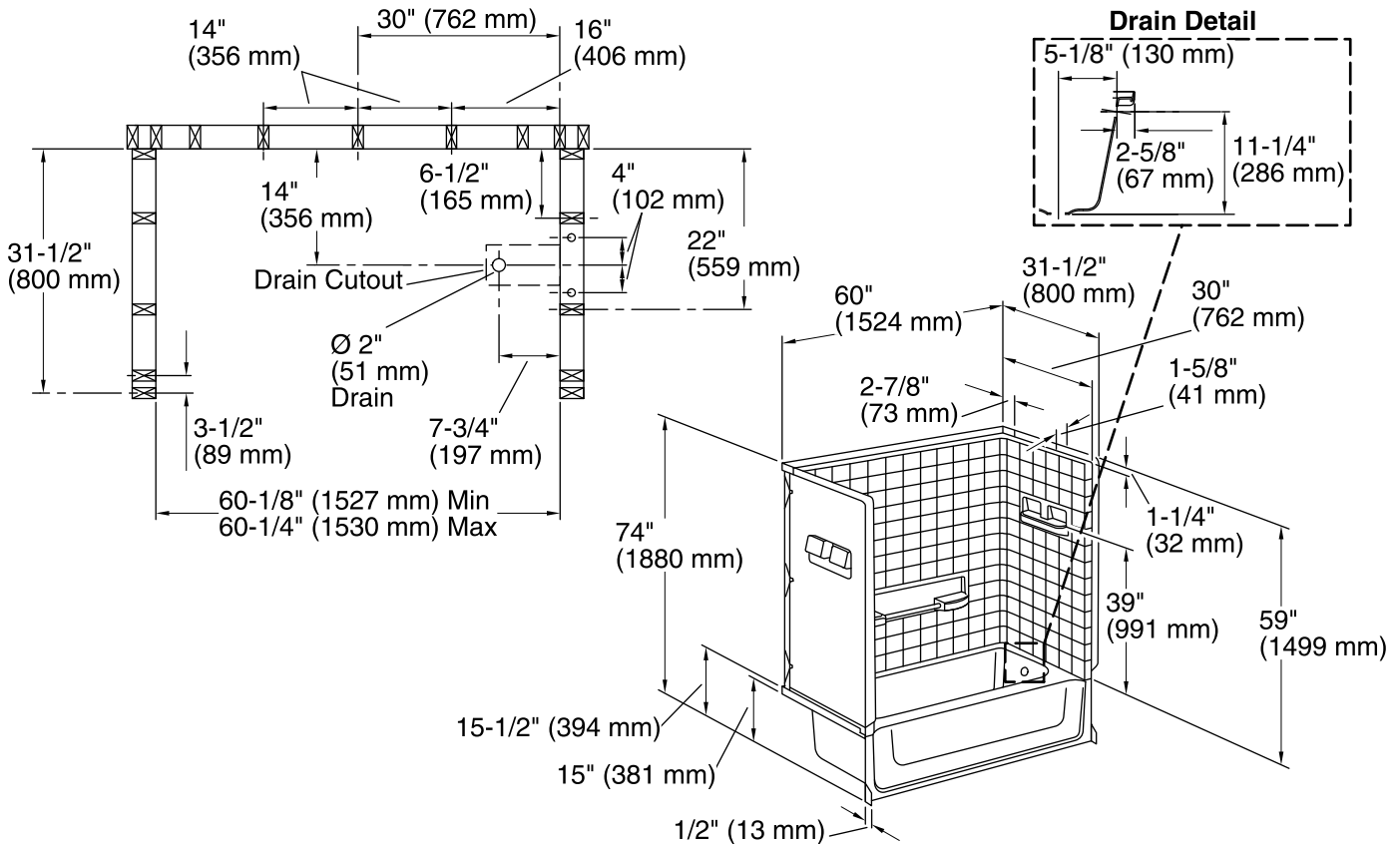
Color	Code	Description
	0	White
	96	KOHLER Biscuit

1-800-STERLING (1-800-783-7546)

Kohler Co. reserves the right to make revisions without notice to product specifications.

For the most current Specification Sheet, go to www.sterlingplumbing.com.

4-25-2019 23:20 - US



Technical Information

All product dimensions are nominal.

Installation:	Three-wall alcove
Drain location:	Right
Basin area, bottom:	48" x 21" (1219 mm x 533 mm)
Basin area, top:	55" x 23" (1397 mm x 584 mm)
Water depth:	9-3/8" (238 mm)
Water capacity:	35 gal (132.5 L)
Minimum flat for door:	2-1/4" (57 mm)
Maximum door height:	57-3/4" (1467 mm)
Maximum door width:	57-1/2" (1461 mm)

Notes

Install this product according to the installation instructions.

Studs should be positioned roughly as shown.

Double studding is recommended for pivot shower door installations.