



# All Pro®

## 60" x 30" bath/shower w/ AIP backerboards

### 61040116



#### Features

- 15" (381 mm) apron.
- Three-piece tongue-and-groove walls with snap-together installation.
- Lightly textured swirl-gloss finish.
- Full caulking required in all seams.
- Four shelves, 18" towel bar.
- Aging in Place backerboards.

#### Material

- Made from solid Vikrell® material for strength, durability, and lasting beauty.

#### Installation

- Alcove.
- Left drain.

#### Recommended Products/Accessories

- K-23726 Drain treatment
- K-23733 Vikrell® cleaner

#### Included Components

- Product consists of:
- 61041110
  - 61044106



#### Codes/Standards

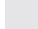

- CSA B45.5/IAPMO Z124
- ASTM E162
- ASTM E662
- HUD, UM Bulletin 73

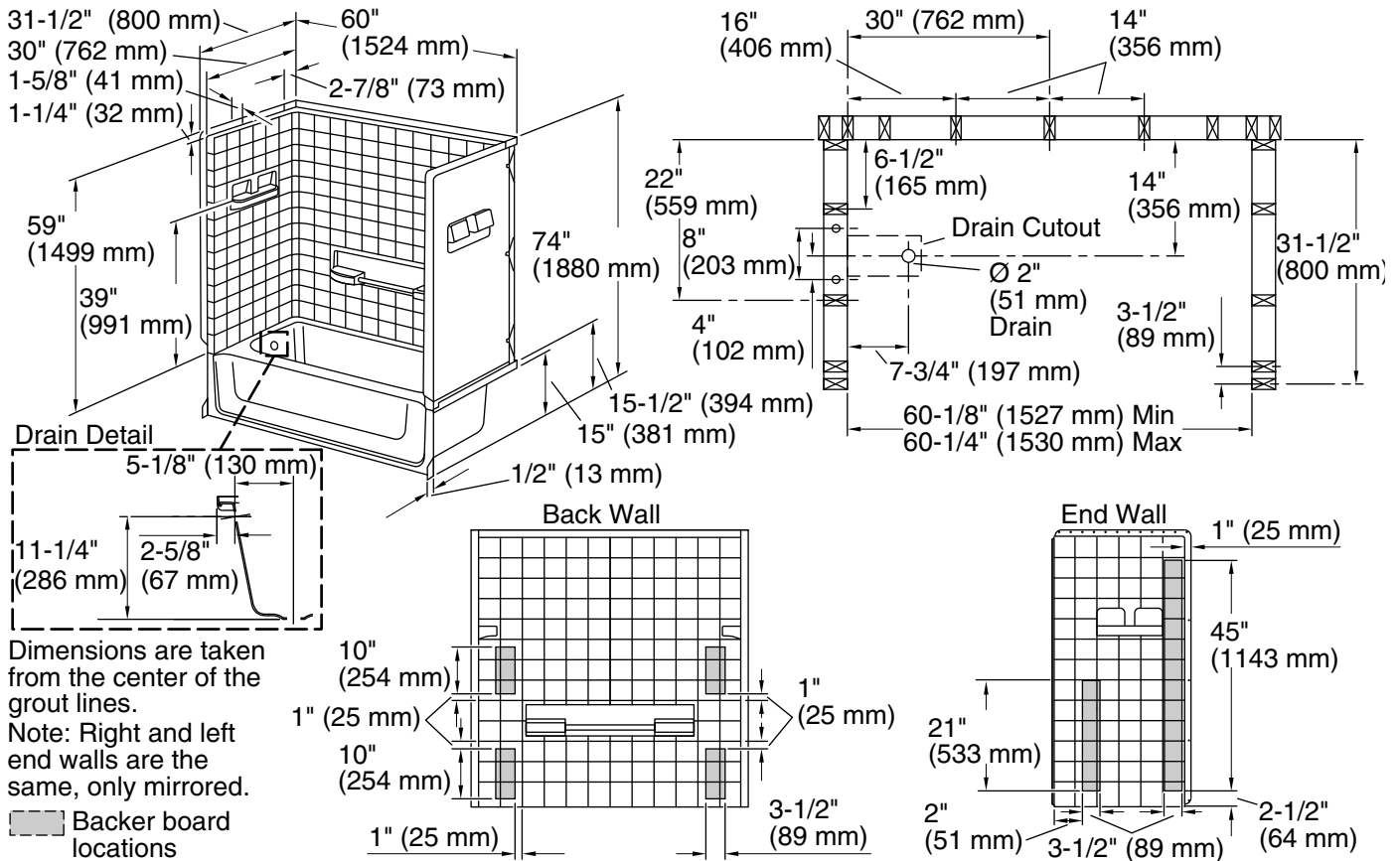
#### Warranty – Bathing Fixtures (and) Kitchen and Utility Sinks Made of Solid Vikrell® Material

See website for detailed warranty information.

#### Available Colors/Finishes

*Color tiles intended for reference only.*

Color	Code	Description
	0	White
	96	KOHLER Biscuit



### Technical Information

All product dimensions are nominal.

Installation:	Three-wall alcove
Drain location:	Left
Basin area, bottom:	48" x 21" (1219 mm x 533 mm)
Basin area, top:	55" x 23" (1397 mm x 584 mm)
Water depth:	9-3/8" (238 mm)
Water capacity:	44 gal (166.6 L)
Maximum door height:	59-1/2" (1511 mm)
Maximum door width:	56-3/4" (1441 mm)

### Notes

Install this product according to the installation instructions.

Double studding is recommended for pivot shower door installations.

Studs should be positioned roughly as shown.

Attach grab bars at the specified backerboard locations only.