



All Pro®

60" bath/shower with left-hand drain
61040110



Features

- 15" apron.
- Tongue-and-groove walls with snap-together installation.
- Lightly textured swirl-gloss finish.
- Full caulking required in all seams.
- Four shelves, 18 towel bar.

Material

- Made from solid Vikrell® material for strength, durability, and lasting beauty.

Installation

- Alcove.
- Left drain.

Recommended Products/Accessories

- 500C-59 Framed sliding bath door
- 5905-57 Framed sliding bath door
- 5905-59 Framed sliding bath door
- 690B-59 Framed sliding bath door
- 5906-59 Framed sliding bath door
- 5425-57 Frameless sliding bath door
- 5425-59 Frameless sliding bath door
- 5907-59 Framed sliding bath door
- 542808-59 Frameless sliding bath door
- 5427-59 Frameless sliding bath door
- 572005-59 Framed sliding shower door
- 5900-57 Framed sliding bath door
- 581005-59 Frameless sliding bath door
- 80001012 12" straight grab bar
- 80001018 18" straight grab bar
- 80001024 24" straight grab bar
- 80011032 32" straight grab bar
- 80001036 36" straight grab bar
- VA-80172 30" x 35" window trim kit
- K-23726 Drain treatment
- K-23733 Vikrell® cleaner

Included Components

Product consists of:

- 61041110 60" bath with left-hand drain
- 61044100 60" wall set for bath/shower



Codes/Standards



- CSA B45.5/IAPMO Z124
- ASTM E162
- ASTM E662
- HUD, UM Bulletin 73

Warranty – Bathing Fixtures (and) Kitchen and Utility Sinks Made of Solid Vikrell® Material

See website for detailed warranty information.

Available Colors/Finishes

Color tiles intended for reference only.

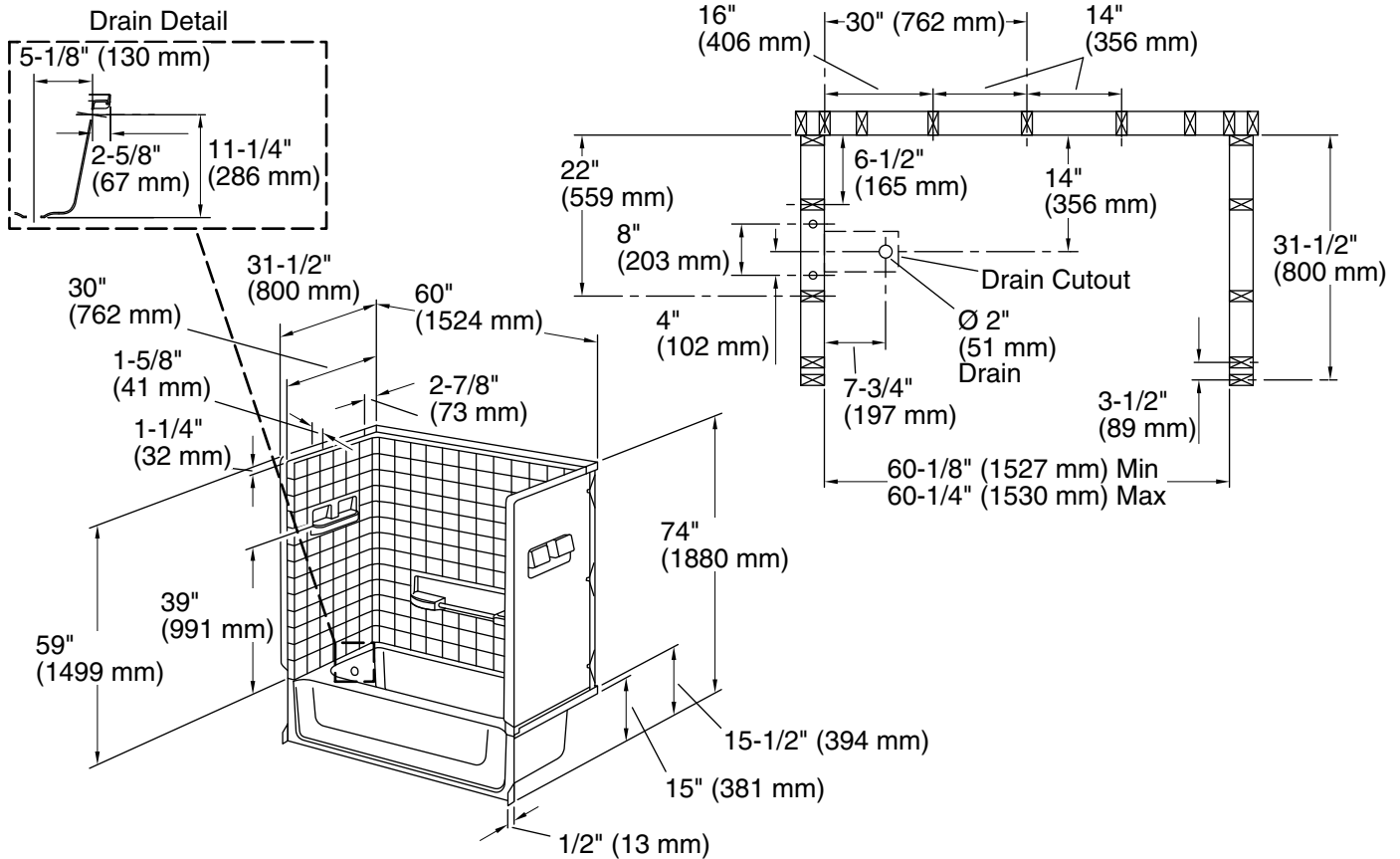
Color	Code	Description
	0	White
	96	KOHLER Biscuit

1-800-STERLING (1-800-783-7546)

Kohler Co. reserves the right to make revisions without notice to product specifications.

For the most current Specification Sheet, go to www.sterlingplumbing.com.

5-6-2020 09:53 - US



Technical Information

All product dimensions are nominal.

Installation:	Three-wall alcove
Drain location:	Left
Basin area, bottom:	48" x 21" (1219 mm x 533 mm)
Basin area, top:	55" x 23" (1397 mm x 584 mm)
Water depth:	9-3/8" (238 mm)
Water capacity:	35 gal (132.5 L)
Minimum flat for door:	2-1/4" (57 mm)
Maximum door height:	57-3/4" (1467 mm)
Maximum door width:	57-1/2" (1461 mm)

Notes

Install this product according to the installation instructions.

Studs should be positioned roughly as shown.

Double studding is recommended for pivot shower door installations.