



Features

- 15" apron.
- Tongue-and-groove walls with snap-together installation.
- Lightly textured swirl-gloss finish.
- Full caulking required in all seams.
- Two shelves, 18 towel bar.

Material

- Made from solid Vikrell® material for strength, durability, and lasting beauty.

Installation

- Alcove.
- Left drain.

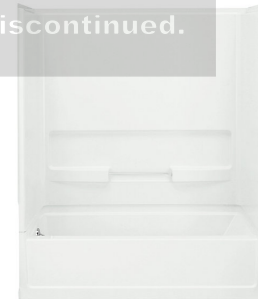
Included Components

Product consists of:

61031110 60" bath

61034100 60" wall set for bath/shower

This product has been discontinued.



DISCONTINUED

Codes/Standards

CSA B45.5/IAPMO Z124

ASTM E162

ASTM E662

HUD, UM Bulletin 73

**Warranty – Bathing Fixtures (and)
Kitchen and Utility Sinks Made of Solid
Vikrell® Material**

See website for detailed warranty information.

DISCONTINUED

This product has been discontinued.

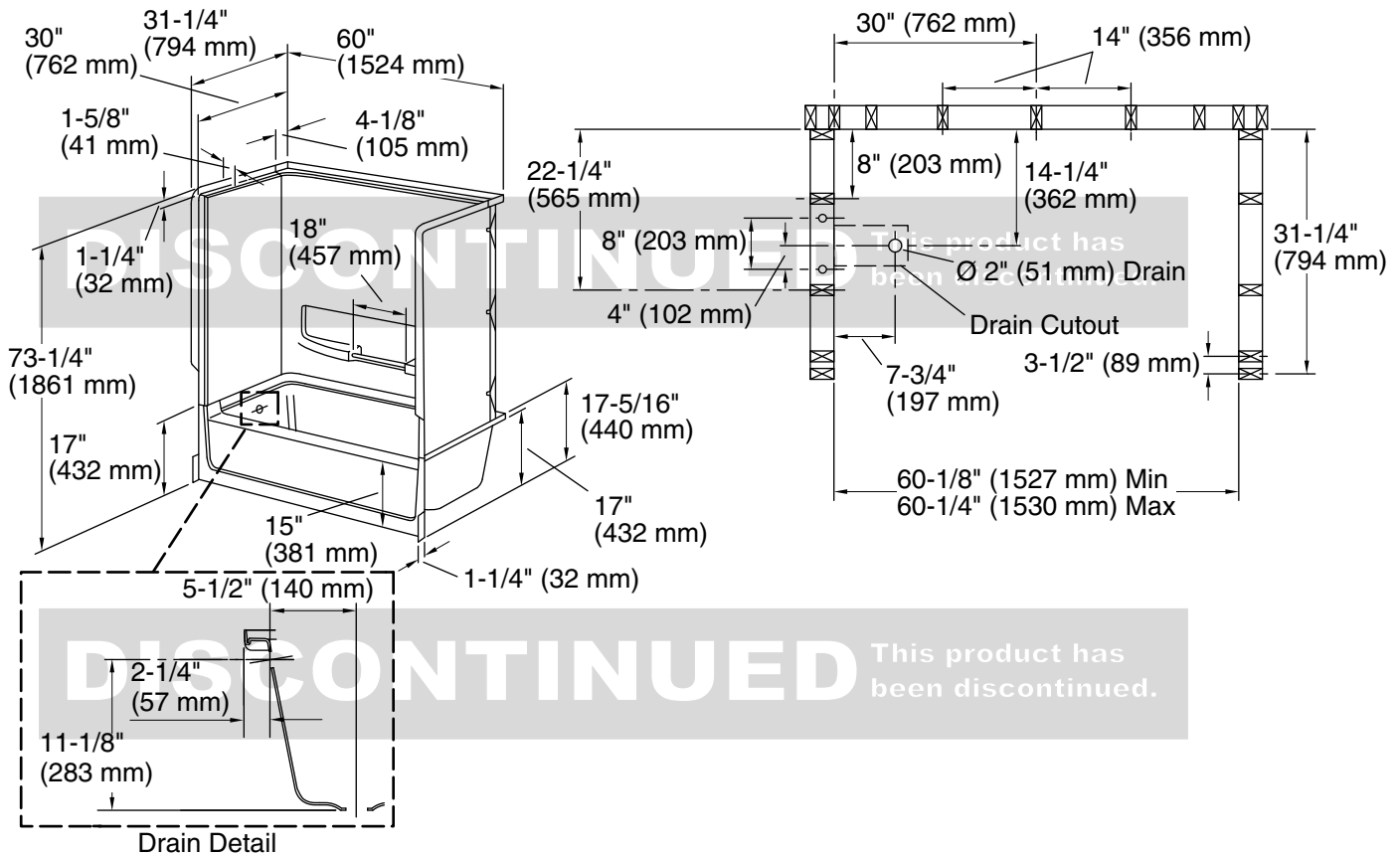
STERLING

A KOHLER COMPANY

Advantage™

60" bath/shower

61030110



Technical Information

All product dimensions are nominal.

Installation: Three-wall alcove

Drain location: Left

Basin area, bottom: 47" x 19" (1194 mm x 483 mm)

Basin area, top: 55" x 24" (1397 mm x 610 mm)

Water depth: 9-3/8" (238 mm)

Water capacity: 42 gal (159 L)

Minimum flat for door: 2-1/2" (64 mm)

Maximum door height: 57" (1448 mm)

Maximum door width: 56-3/4" (1441 mm)

Notes

Install this product according to the installation instructions.

Studs should be positioned roughly as shown.

Double studding is recommended for pivot shower door installations.

DISCONTINUED This product has been discontinued.

1-800-STERLING (1-800-783-7546)

Kohler Co. reserves the right to make revisions without notice to product specifications.

For the most current Specification Sheet, go to www.sterlingplumbing.com.

5-6-2020 09:52 - US