



Deluxe

Framed sliding shower door
5960-55

Features

- Framed, 1/8" (3 mm) thick tempered glass.
- Towel bar.
- Tempered glass ensures enhanced safety and durability.

Material

- Anodized aluminum prevents rust and corrosion.

Installation

- Out-of-plumb adjustability simplifies installation.
- Not for use in hospitality.
- For residential use only.

Recommended Products/Accessories

K-23723 Faucet cleaner

Included Components

Additional Components:

Hardware kit



Codes/Standards

ANSI Z97.1

CPSC 16CFR 1201

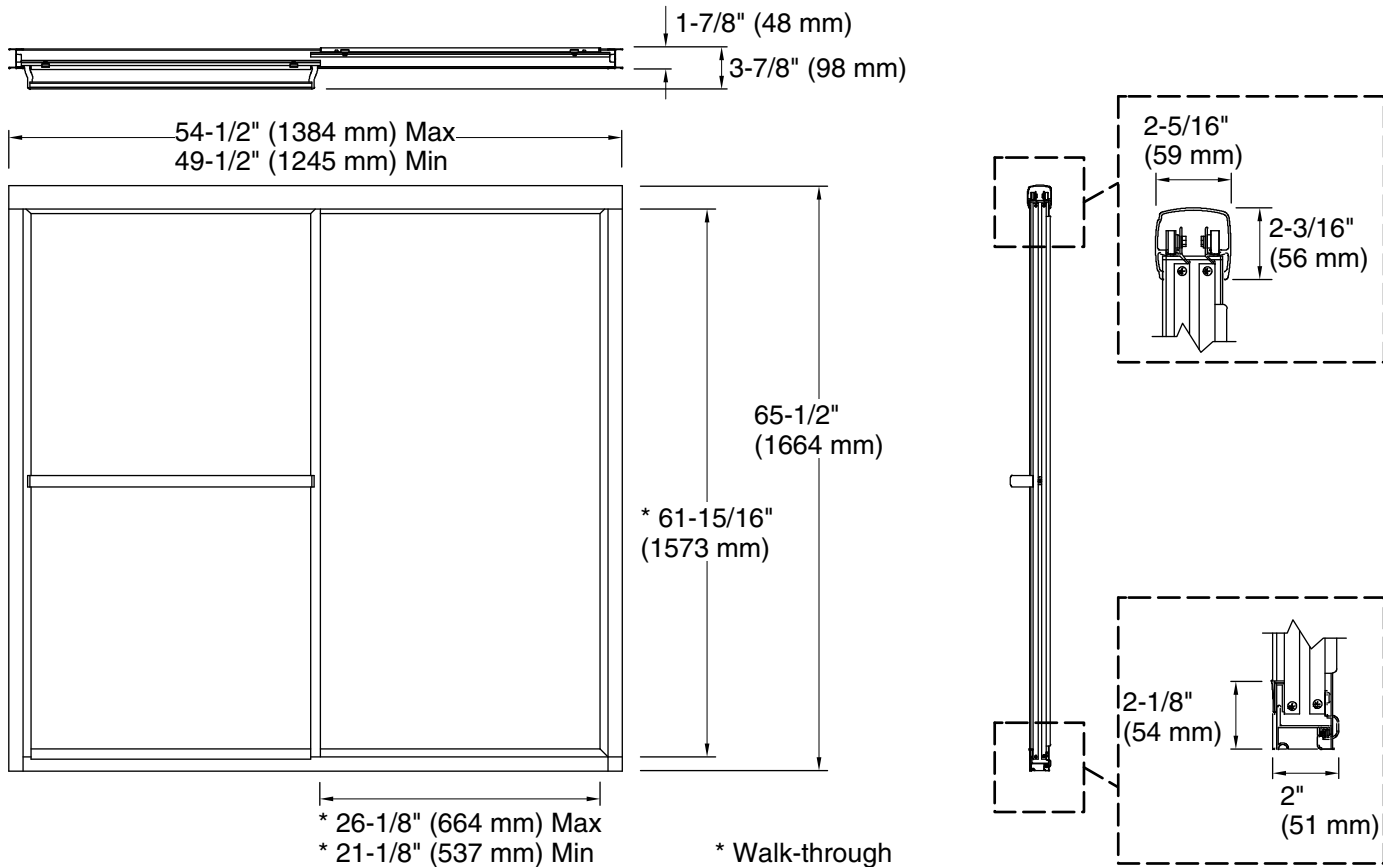
STERLING® Warranty - Bath and Shower Doors

See website for detailed warranty information.

Available Glass Options

Code	Description
------	-------------

	Pebbled
--	---------



Technical Information

All product dimensions are nominal.

Installation type: For shower base installation

Opening Width - 49-1/2" (1257 mm)
Min:

Opening Width - 54-1/2" (1384 mm)
Max:

Walk-through - Min: 21-1/8" (537 mm)

Walk-through - Max: 26-1/8" (664 mm)

Base-To-Wall 1/2" (13 mm)

Radius – Max:

Glass thickness: 1/8" (3 mm)

Notes

Install this product according to the installation guide.

The vertical opening should be a minimum of 66-15/16" (1700 mm) to allow for installation clearance.