



Deluxe

Framed sliding bath door, 56-1/4" H x 59-3/8" W
5906-59

Features

- 1/8" (3 mm) thick tempered and fully framed Rain glass ensures maximum safety and durability.
- Bypass system allows for easy access and suits your bathroom layout whether your showerhead is on the right or left.
- Reversible top track and towel bar allow a choice between rounded or accented design.
- Continuous bottom track guide system for smooth, quiet, and stable operation.
- Made in the U.S.A.

Material

- Anodized aluminum prevents rust and corrosion.

Installation

- Fits opening widths 54-3/8" - 59-3/8" (1381 - 1508 mm).
- Requires 2" (51 mm) minimum threshold depth.
- Out-of-plumb adjustability simplifies installation.
- For residential use only.
- Not for use in hospitality.

Recommended Products/Accessories

K-23723 Faucet cleaner

Included Components

Additional Components:
Hardware kit



Codes/Standards

ANSI Z97.1
CPSC 16CFR 1201


STERLING® Bath and Shower Doors Three-Year Limited Warranty

See website for detailed warranty information.

Available Colors/Finishes

Color tiles intended for reference only.

Color	Code	Description
-------	------	-------------

	S	Silver
---	---	--------

Available Glass Options

Code	Description
------	-------------

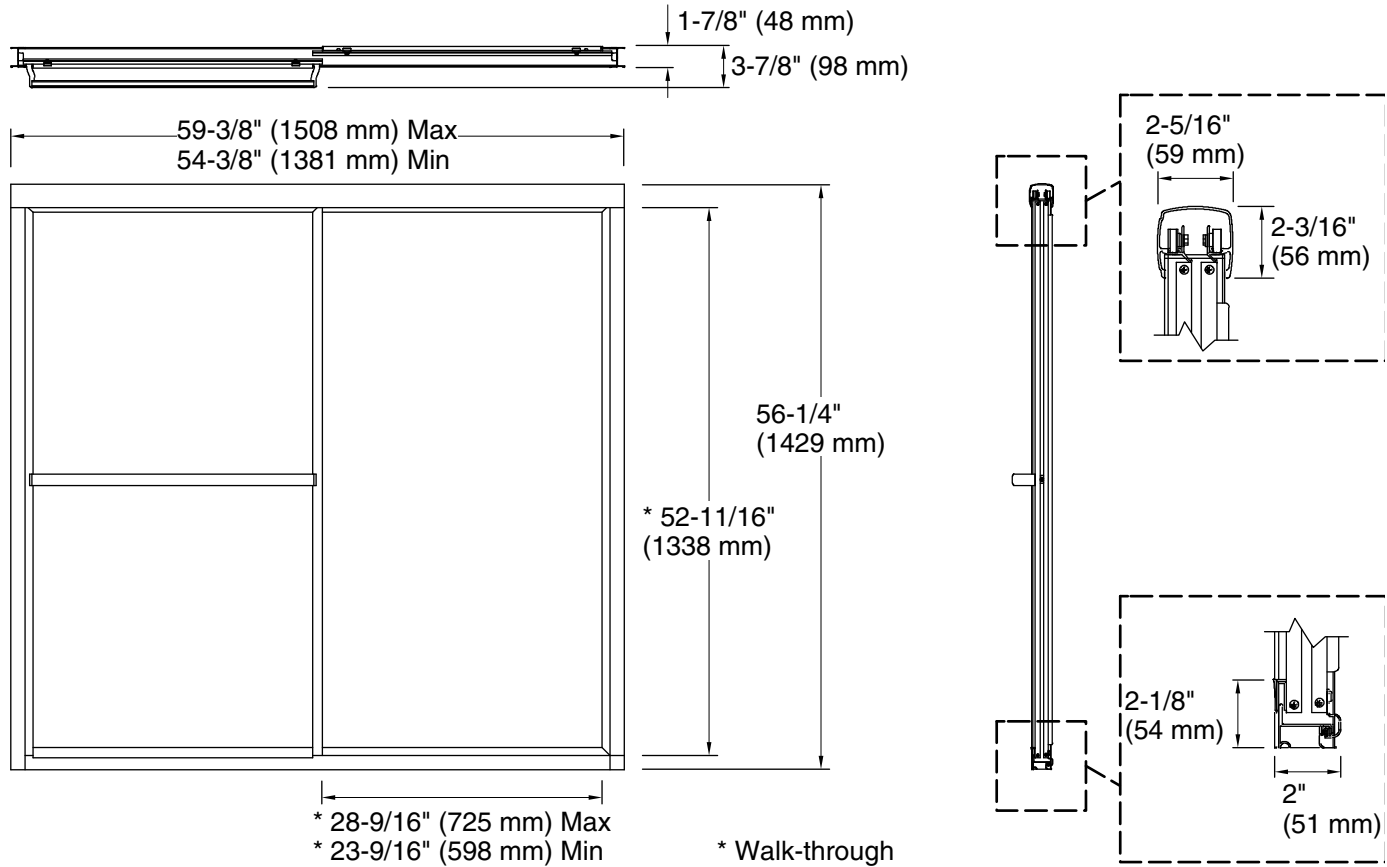
G06	Rain
-----	------

1-800-STERLING (1-800-783-7546)

Kohler Co. reserves the right to make revisions without notice to product specifications.

For the most current Specification Sheet, go to www.sterlingplumbing.com.

8-25-2021 07:57 - US/CA



Technical Information

- All product dimensions are nominal.
- Installation type: For bath installation
 - Opening Width - Min: 54-3/8" (1381 mm)
 - Opening Width - Max: 59-3/8" (1508 mm)
 - Walk-through - Min: 23-9/16" (599 mm)
 - Walk-through - Max: 28-9/16" (726 mm)
 - Base-To-Wall Radius - Max: 1/2" (13 mm)
 - Glass thickness: 1/8" (3 mm)

Notes

- Install this product according to the installation guide.
- The vertical opening should be a minimum of 57-11/16" (1465 mm) to allow for installation clearance.