



Deluxe

Framed sliding shower door

572115-G05

Features

- Framed, 1/8" (3 mm) thick tempered glass
- Tempered glass ensures enhanced safety and durability
- Exterior towel bar
- Continuous guide mechanism for smooth, quiet sliding action and easy cleaning

Material

- Anodized aluminum prevents rust and corrosion

Installation

- Out-of-plumb adjustability simplifies installation
- Door can be installed to open to the left or right to suit your bathroom layout
- For residential use only
- Not for use in hospitality



Codes/Standards

ANSI Z97.1
CAN/CGSB-12.1
CPSC 16CFR 1201

STERLING® Bath and Shower Doors Five-Year Limited Warranty

See website for detailed warranty information.

Available Colors/Finishes

Color tiles intended for reference only.

Color	Code	Description
-------	------	-------------



N	Nickel
---	--------

S	Silver
---	--------

Available Glass Options

Code	Description
------	-------------

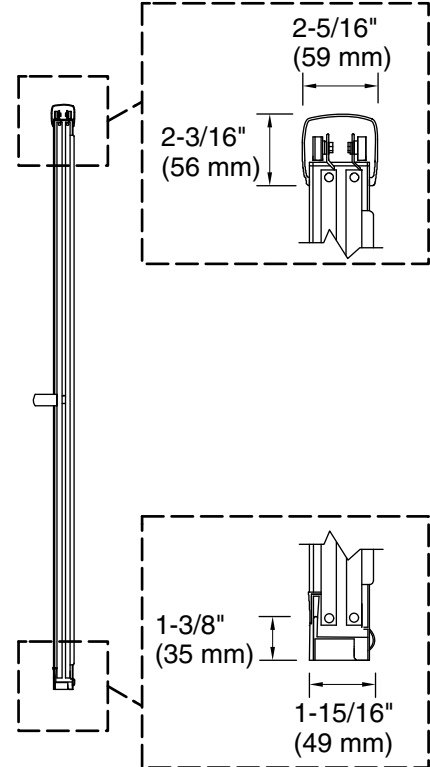
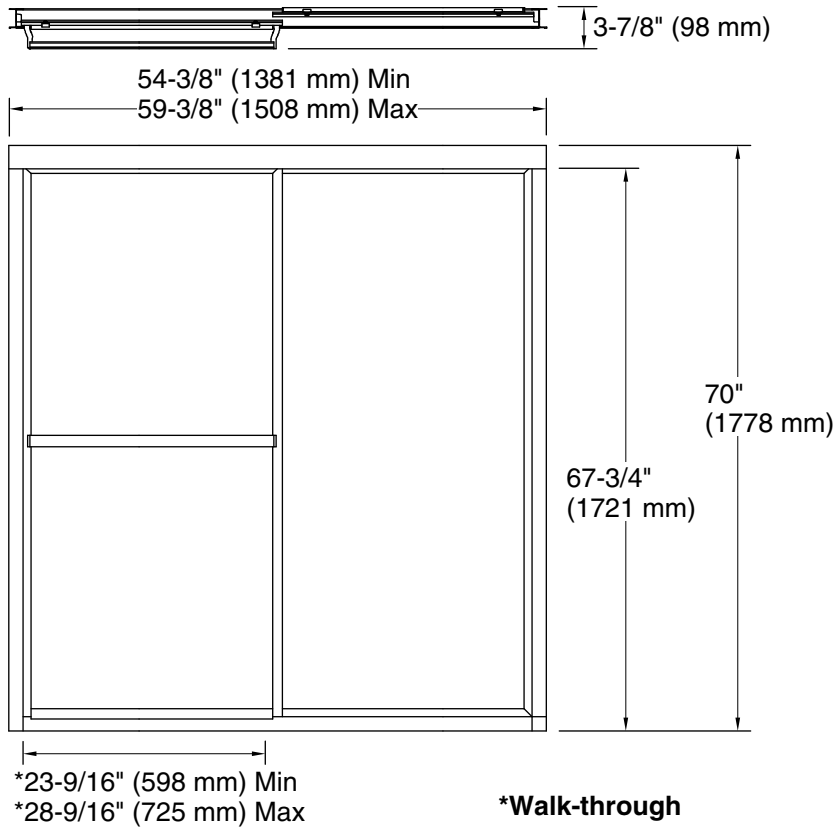
G05	Clear
-----	-------

1-800-STERLING (1-800-783-7546)

Kohler Co. reserves the right to make revisions without notice to product specifications.

For the most current Specification Sheet, go to www.sterlingplumbing.com.

3-22-2024 22:35 - US



Technical Information

All product dimensions are nominal.

- Base-To-Wall 1/2" (13 mm)
- Radius – Max:
- Shower Ledge Min 1-7/8" (48 mm)
- Flat:
- Shower Wall Min 2-5/16" (59 mm)
- Flat:

Notes

The vertical opening should be a minimum of 71-1/2" (1816 mm) to allow for installation clearance.