



# Deluxe

## 65-1/2" H sliding shower door with 1/8"-thick glass

### 572114-G10

#### Features

- Reversible top track and towel bar allow a choice between rounded or accented design
- Tempered glass ensures enhanced safety and durability
- Continuous guide mechanism for smooth, quiet sliding action and easy cleaning

#### Material

- Framed, 1/8" (3 mm) thick Pebbled tempered glass
- Anodized aluminum prevents rust and corrosion

#### Installation

- Fits opening widths 43-7/8" – 48-7/8" (1114 – 1241 mm)
- 65-1/2" (1664 mm) high, with 63-5/16" (1608 mm) minimum head clearance
- 3/8" (10-mm) out-of-plumb adjustability on each side simplifies installation
- Door can be installed to open to the left or right to suit your bathroom layout
- For residential use only
- Not for use in hospitality



#### Codes/Standards

ANSI Z97.1  
 CAN/CGSB-12.1  
 CPSC 16CFR 1201

#### STERLING® Bath and Shower Doors Five-Year Limited Warranty

See website for detailed warranty information.

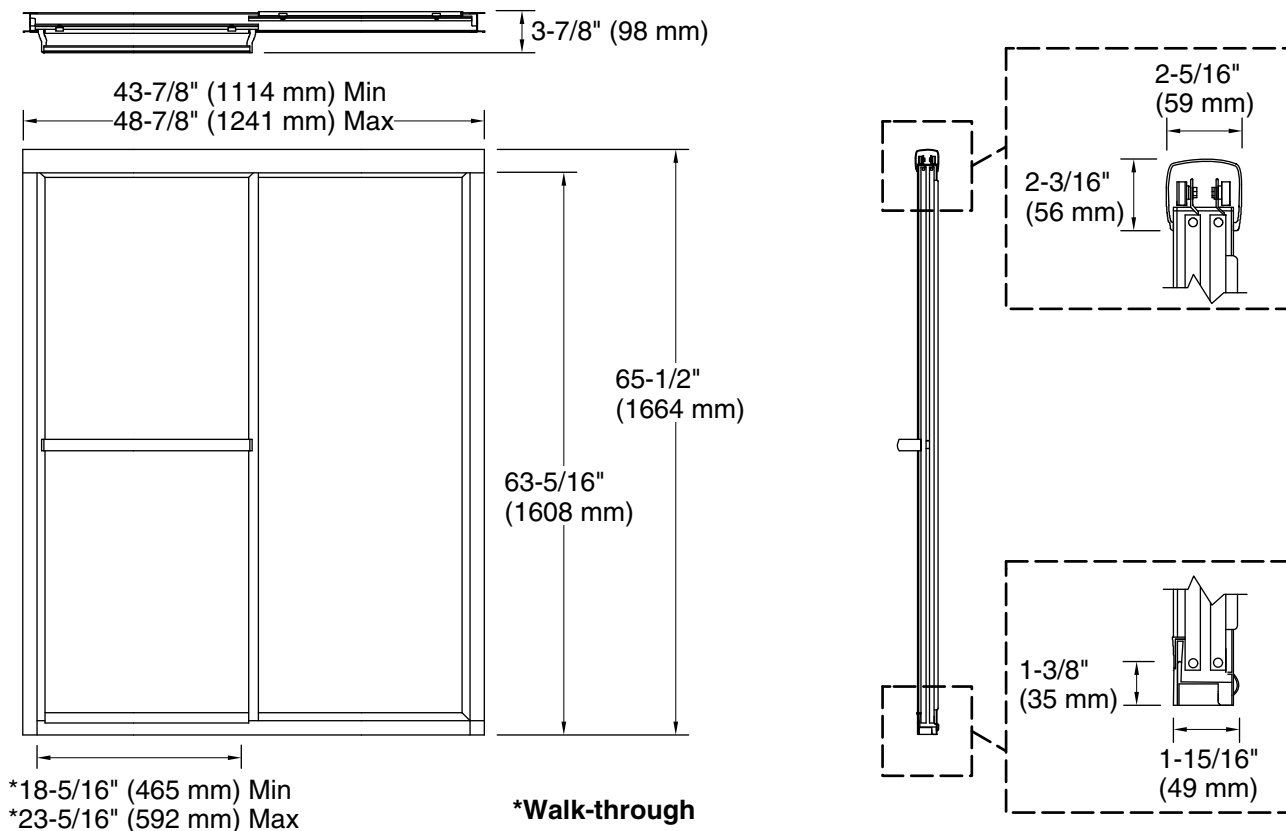
#### Available Colors/Finishes

*Color tiles intended for reference only.*

Color	Code	Description
	N	Nickel

#### Available Glass Options

Code	Description
G10	Pebbled



### Technical Information

All product dimensions are nominal.

Base-To-Wall	1/2" (13 mm)
Radius – Max:	
Shower Ledge Min	1-7/8" (48 mm)
Flat:	
Shower Wall Min	2-5/16" (59 mm)
Flat:	

### Notes

The vertical opening should be a minimum of 67" (1702 mm) to allow for installation clearance.