

Features

- Frameless, 1/4" (6 mm) thick Clear tempered glass
- Low, 1 3/4" (44 mm) threshold for easy entry and exit
- CleanCoat®+ glass coating creates a hydrophobic barrier that repels water, soap scum, and residue, saving time and protecting shower doors 10 times longer than original CleanCoat. (Based on 2021 internal wear/abrasion testing using a microfiber cloth.)

Technology

- Double rollers provide a smooth gliding action to give a quality feel for years to come
- Magnetic seal keeps door firmly closed, providing excellent water containment
- Knob handle keeps the design line simple and unobstructed
- Detachable bottom rollers for ease of cleaning
- Preassembled frame and out-of-plumb adjustability for simple installation with no cutting

Installation

- Door can be installed to open to the left or right to suit your bathroom layout
- Not for use in hospitality
- For residential use only

Recommended Products/Accessories

1296811

Included Components

Additional Components:
Hardware kit



Codes/Standards

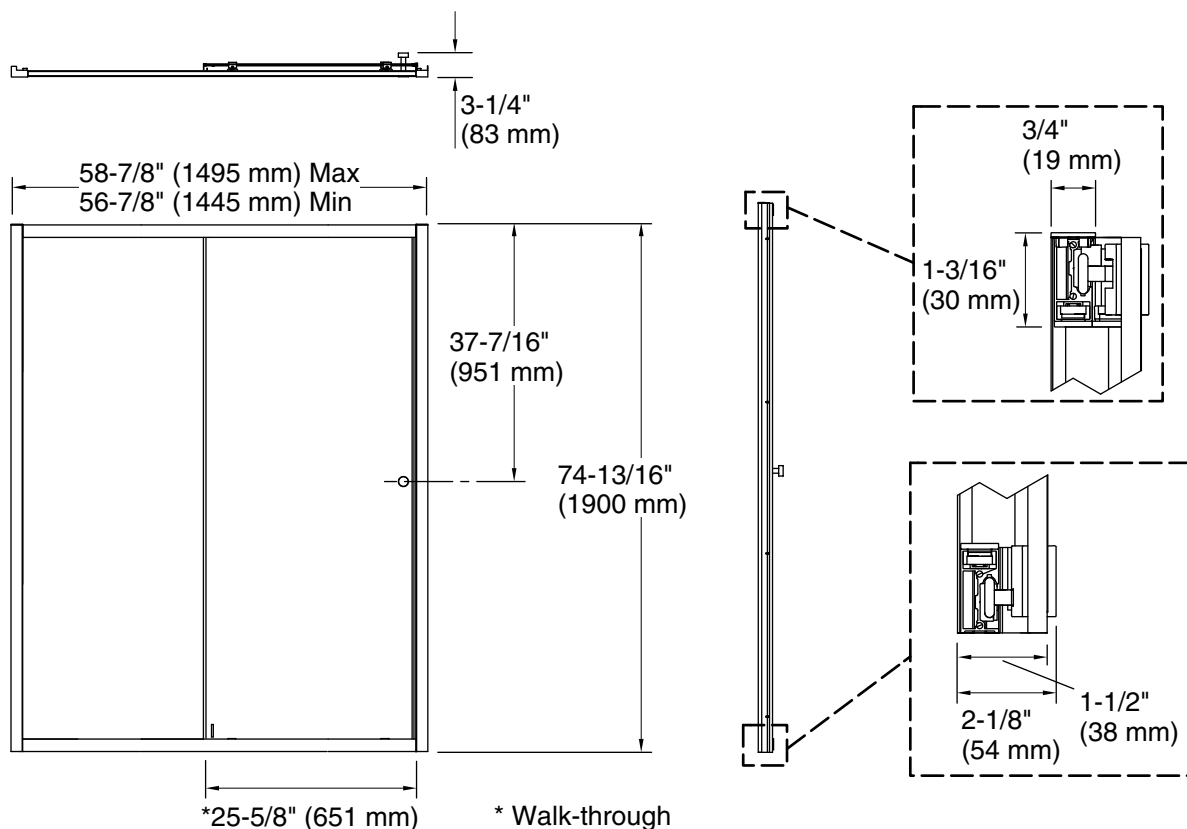
ANSI Z97.1
CPSC 16CFR 1201

STERLING® Warranty - Bath and Shower Doors

See website for detailed warranty information.

Available Glass Options

Code	Description
G05	Clear



Technical Information

All product dimensions are nominal.

Installation type: For shower base installation

Opening Width - Min: 56-7/8" (1445 mm)

Opening Width - Max: 58-7/8" (1495 mm)

Walk-through - Min: 25-5/8" (651 mm)

Walk-through - Max: 25-5/8" (651 mm)

Base-To-Wall Radius - Max: 1" (25 mm)

Glass thickness: 1/4" (6 mm)

Glass coating: CleanCoat®

Notes

Install this product according to the installation instructions.

The vertical opening should be a minimum of 75" (1905 mm) to allow for installation clearance.