

### Features

- Frameless, 1/4-inch-thick (6mm) clear tempered glass.
- Double rollers provide a smooth gliding action to give a quality feel for years to come.
- Magnetic seal keeps door firmly closed, providing excellent water containment.
- Knob handle keeps the design line simple and unobstructed.
- Low threshold (1-3/4-inch) for easy entry and exit.
- CleanCoat® glass treatment repels water for improved ease of cleaning.
- Detachable bottom rollers for ease of cleaning.
- Available in Silver (S) finish.
- Door can be installed to open right or left, depending on your preference.
- Pre-assembled frame and out-of-plumb adjustability for simple installation with no cutting.

### Installation

- Not for use in hospitality.
- For residential use only.

### Recommended Products/Accessories

1296811 Whiston™ Door Filler Jamb

### Included Components

Additional Components:  
Hardware kit



### Codes/Standards

ANSI Z97.1  
CPSC 16CFR 1201

### STERLING® Warranty - Bath and Shower Doors

See website for detailed warranty information.

### Available Colors/Finishes

*Color tiles intended for reference only.*

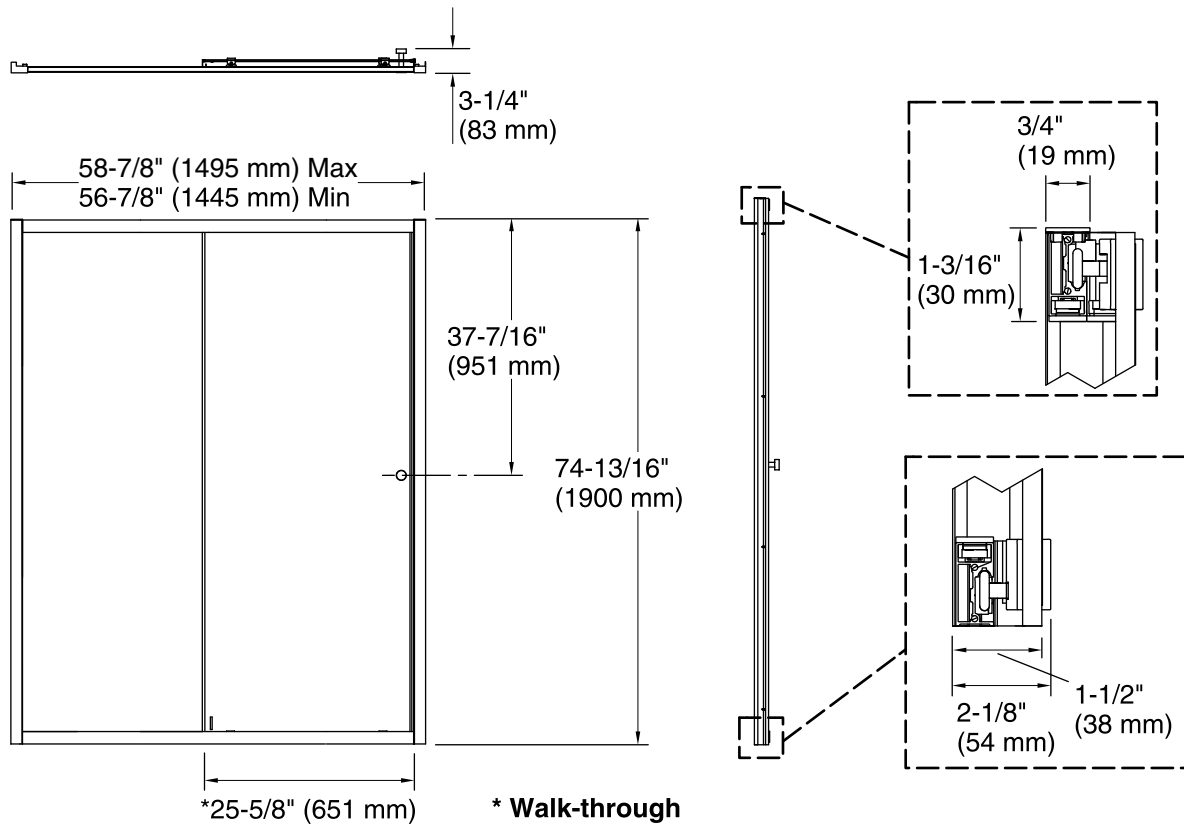
Color	Code	Description
-------	------	-------------

	S	
--	---	--

### Available Glass Options

Code	Description
------	-------------

G05	Clear
-----	-------



**Technical Information**

All product dimensions are nominal.

Installation type: For shower base installation

Opening Width - Min: 56-7/8" (1445 mm)

Opening Width - Max: 58-7/8" (1495 mm)

Walk-through - Min: 25-5/8" (651 mm)

Walk-through - Max: 25-5/8" (651 mm)

Glass thickness: 1/4" (6 mm)

Glass coating: CleanCoat®

**Notes**

Install this product according to the installation instructions.

The vertical opening should be a minimum of 75" (1905 mm) to allow for installation clearance.