



# Whiston®

Pivot shower door with return panel  
**572084-36**

### Features

- Frameless, 1/4" (6mm) thick Clear tempered glass.
- Includes a 36" (914 mm) wide glass return panel to create a corner enclosure.
- CleanCoat® nanotechnology provides a smooth, nonstick surface to help prevent buildup of water stains, bacteria and mildew on your glass, to make it easy to clean and keep it looking like new.
- 1" (25.4 mm) width adjustability on each wall jamb, offering 2" (51 mm) total adjustability.

### Technology

- Magnetic seal keeps door firmly closed, providing excellent water containment.
- Knob handle keeps the design line simple and unobstructed.
- Low threshold (1-3/4-inch) for easy entry and exit.
- Adjustable ball catch for reliable operation.
- Door swings outward and can be installed to open right or left, depending on your preference.
- Pre-assembled frame and out-of-plumb adjustability for simple installation with no cutting.

### Installation

- Not for use in hospitality.
- For residential use only.

### Recommended Products/Accessories

K-23723 Faucet cleaner

### Optional Products/Accessories

1296811 Whiston™ Door Filler Jamb

### Included Components

Product consists of:

572102-36 Pivot shower door

572077-36 36" return panel

Additional Components:

Hardware kit



### Codes/Standards

ANSI Z97.1

CPSC 16CFR 1201


### STERLING® Warranty - Bath and Shower Doors

See website for detailed warranty information.

### Available Colors/Finishes

*Color tiles intended for reference only.*

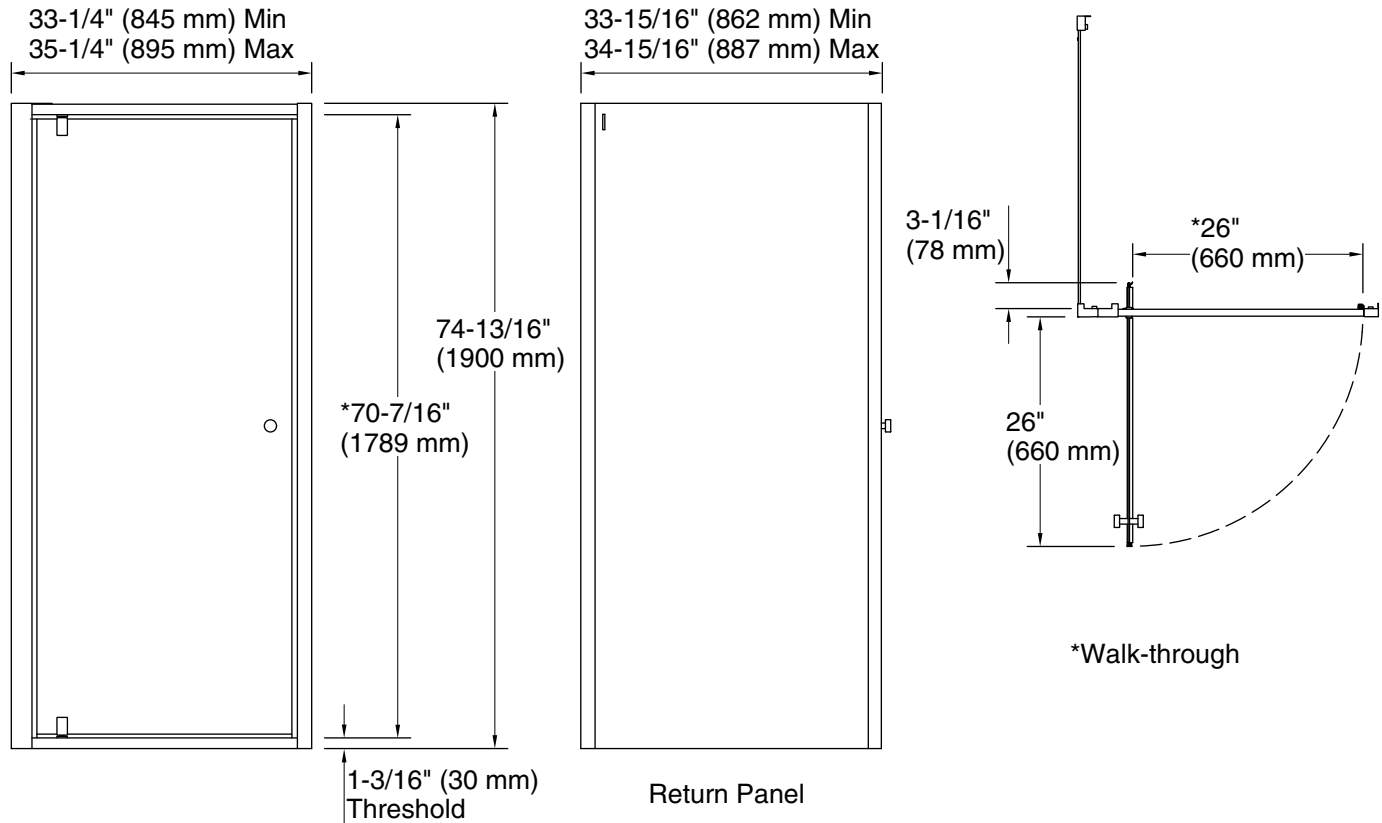
Color	Code	Description
-------	------	-------------

	S	Silver
--	---	--------

### Available Glass Options

Code	Description
------	-------------

G05	Clear
-----	-------



**Technical Information**

All product dimensions are nominal.

Installation type: For shower base installation

Opening Width - Min: 33-1/4" (845 mm)

Opening Width - Max: 35-1/4" (895 mm)

Walk-through - Min: 26" (660 mm)

Walk-through - Max: 26" (660 mm)

Base-To-Wall Radius 1" (25 mm)

- Max:

Glass thickness: 1/4" (6 mm)

Glass coating: CleanCoat®

**Notes**

Install this product according to the installation instructions.

The vertical opening should be a minimum of 75" (1905 mm) to allow for installation clearance.