



Whiston®

Pivot shower door
572078-27

Features

- Frameless, 1/4" (6mm) thick Clear tempered glass.
- Low, 1¾" (44 mm) threshold for easy entry and exit.
- CleanCoat® technology creates a protective barrier that repels water, prevents dirt and minerals from collecting, and makes it easier to remove hard water spots.
- 1" (25 mm) width adjustability on each wall jamb, offering 2" (51 mm) total adjustability.

Technology

- Magnetic seal keeps door firmly closed, providing excellent water containment.
- Knob handle keeps the design line simple and unobstructed.
- Adjustable ball catch for reliable operation.
- Preassembled frame and out-of-plumb adjustability for simple installation with no cutting.

Installation

- Door can be installed to open to the left or right to suit your bathroom layout.
- Not for use in hospitality.
- For residential use only.

Recommended Products/Accessories

K-23723 Faucet cleaner

Optional Products/Accessories

1296811 Whiston™ Door Filler Jamb

Included Components

Additional Components:
Hardware kit



Codes/Standards

ANSI Z97.1
CPSC 16CFR 1201

STERLING® Warranty - Bath and Shower Doors

See website for detailed warranty information.

Available Glass Options

Code	Description
G05	Clear

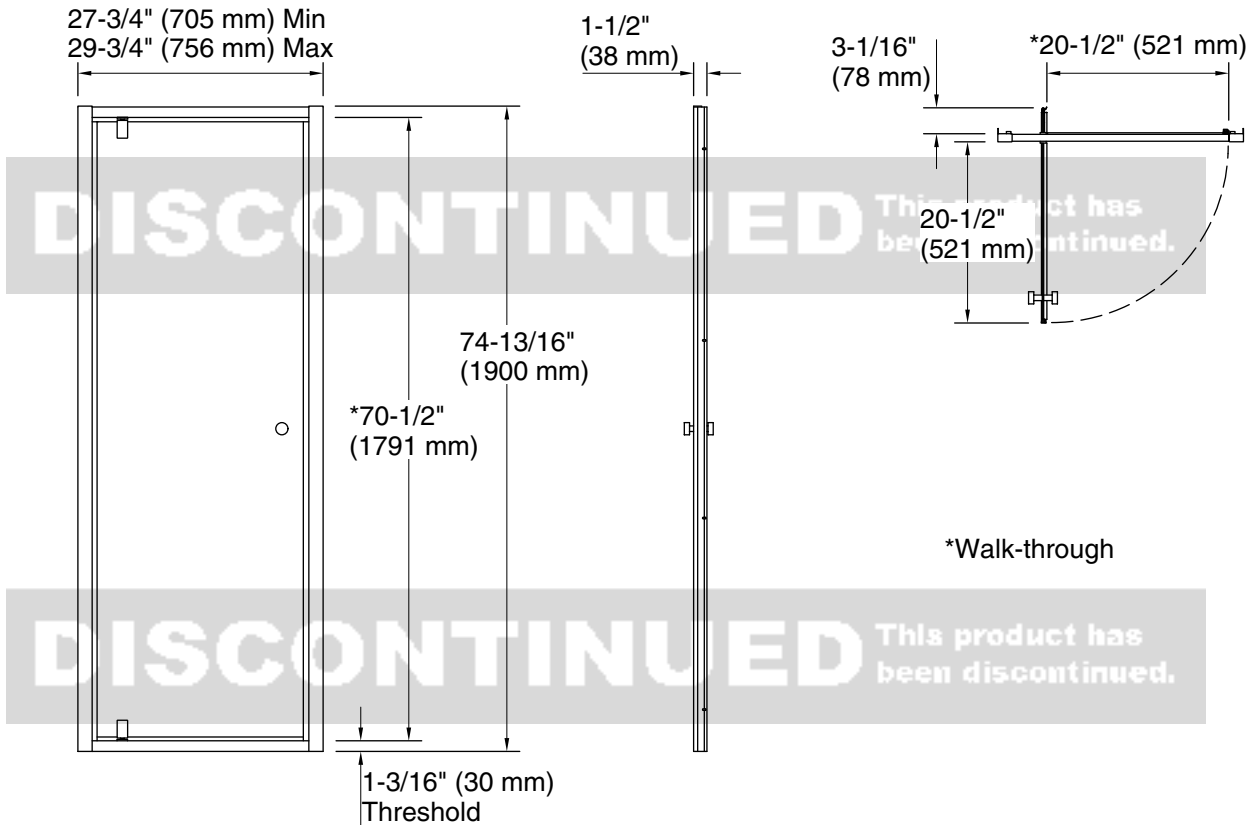
DISCONTINUED This product has been discontinued.

1-800-STERLING (1-800-783-7546)

Kohler Co. reserves the right to make revisions without notice to product specifications.

For the most current Specification Sheet, go to www.sterlingplumbing.com.

5-16-2021 07:24 - US/CA



*Walk-through

Technical Information

All product dimensions are nominal.

Installation type: For shower base installation

Opening Width - Min: 27-3/4" (705 mm)

Opening Width - Max: 29-3/4" (755 mm)

Walk-through - Min: 19-7/8" (505 mm)

Walk-through - Max: 19-7/8" (505 mm)

Base-To-Wall Radius - Max: 1" (25 mm)

Glass thickness: 1/4" (6 mm)

Glass coating: CleanCoat®

Notes

Install this product according to the installation instructions.

The vertical opening should be a minimum of 75" (1905 mm) to allow for installation clearance.