



Finesse™ Peak®

Headerless frameless pivot shower door
5699-39

Technology

- Heavy 5/16" glass for strength and stability.
- CleanCoat® nanotechnology provides a smooth, nonstick surface to help prevent buildup of water stains, bacteria and mildew on your glass, to make it easy to clean and keep it looking like new.
- Tempered glass ensures maximum safety and durability.

Installation

- 3/8" (10 mm) out-of-plumb adjustability per side allows for simpler installation.
- Door can be installed to open to the left or right to suit your bathroom layout.
- Not for use in hospitality.
- For residential use only.

Recommended Products/Accessories

K-23723 Faucet cleaner

Included Components

Additional Components:
Hardware kit



Codes/Standards

ANSI Z97.1
CPSC 16CFR 1201

STERLING® Warranty - Bath and Shower Doors

See website for detailed warranty information.

Available Colors/Finishes

Color tiles intended for reference only.

Color	Code	Description
	ADR	Anodized Deep Bronze
	N	Nickel
	S	Silver

Available Glass Options

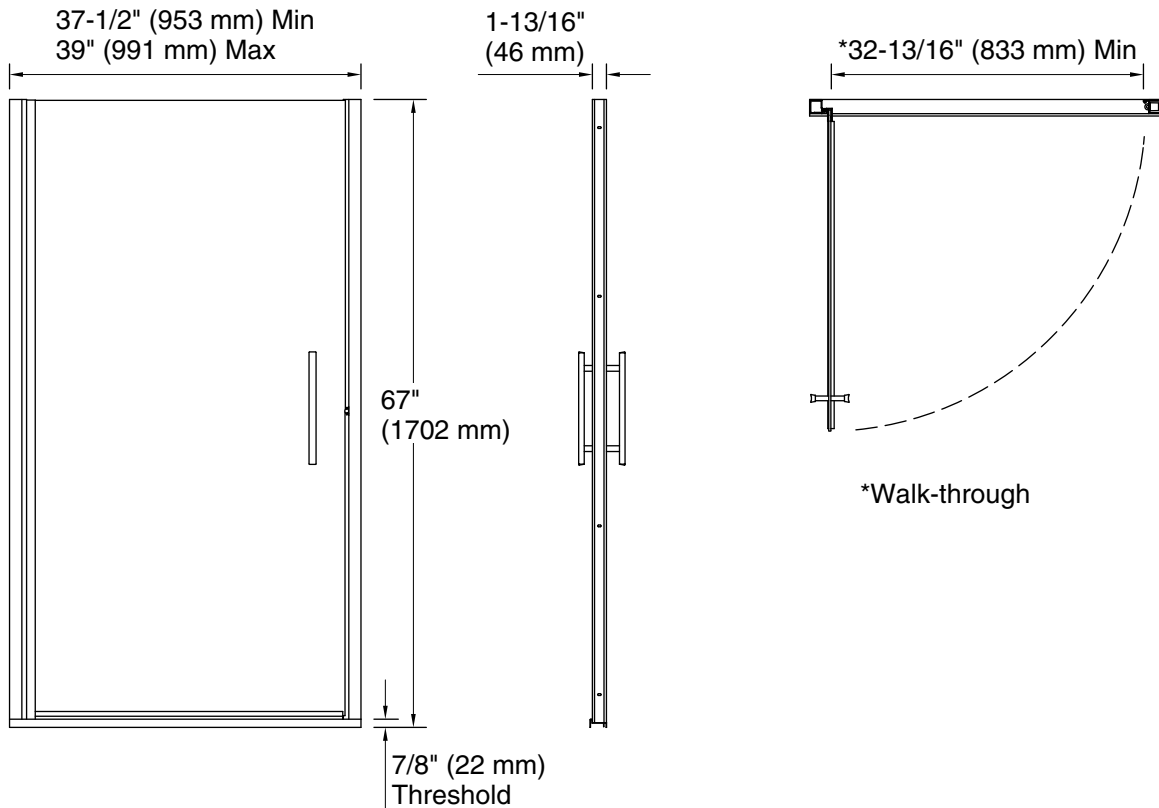
Code	Description
G05	Clear
G03	Frosted

1-800-STERLING (1-800-783-7546)

Kohler Co. reserves the right to make revisions without notice to product specifications.

For the most current Specification Sheet, go to www.sterlingplumbing.com.

5-14-2020 06:18 - US/CA



Technical Information

All product dimensions are nominal.
 Installation type: For shower base installation
 Opening Width - Min: 37-1/2" (953 mm)
 Opening Width - Max: 39" (991 mm)
 Walk-through - Min: 32-13/16" (833 mm)
 Base-To-Wall Radius 1/2" (13 mm)
 - Max:
 Glass thickness: 5/16" (8 mm)
 Glass coating: CleanCoat®

Notes

Install this product according to the installation instructions.
 The vertical opening should be a minimum of 67" (1702 mm) to allow for installation clearance.