



# Finesse™ Peak®

Headerless frameless pivot shower door  
5699-28

## Features

- CleanCoat®+ glass coating creates a hydrophobic barrier that repels water, soap scum, and residue, saving time and protecting shower doors 10 times longer than original CleanCoat. (Based on 2021 internal wear/abrasion testing using a microfiber cloth.)

## Material

- Heavy 5/16" (8 mm) glass for strength and stability.

## Technology

- Tempered glass ensures maximum safety and durability.

## Installation

- Out-of-plumb adjustability simplifies installation.
- Door can be installed to open to the left or right to suit your bathroom layout.
- Not for use in hospitality.
- For residential use only.

## Recommended Products/Accessories

K-23723 Faucet cleaner

## Included Components

Additional Components:

Hardware kit



## Codes/Standards

ANSI Z97.1

CPSC 16CFR 1201




## STERLING® Warranty - Bath and Shower Doors

See website for detailed warranty information.

## Available Colors/Finishes

*Color tiles intended for reference only.*

### Color Code Description

	ADR	Anodized Deep Bronze
	ADR	Anodized Deep Bronze
	N	Nickel
	N	Nickel
	S	Silver
	S	Silver

## Available Glass Options

### Code Description

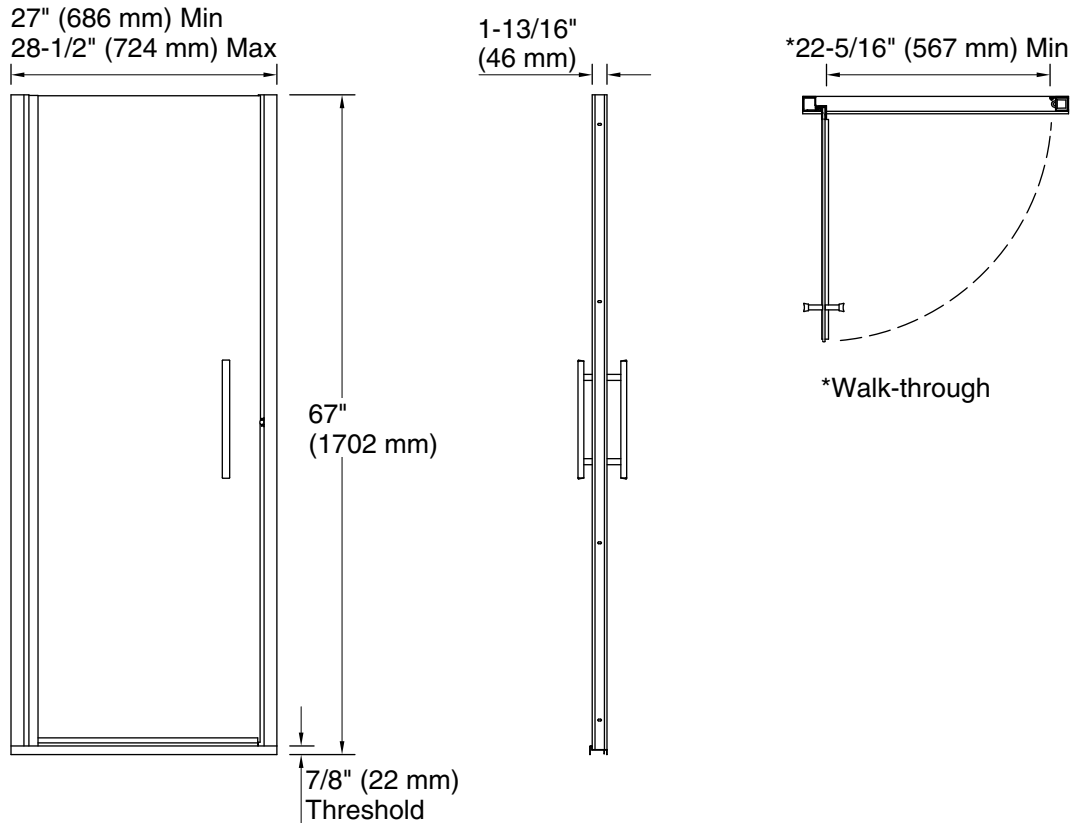
G05	Clear
G03	Frosted

1-800-STERLING (1-800-783-7546)

Kohler Co. reserves the right to make revisions without notice to product specifications.

For the most current Specification Sheet, go to [www.sterlingplumbing.com](http://www.sterlingplumbing.com).

9-24-2021 05:02 - US//CA



**Technical Information**

All product dimensions are nominal.

- Installation type: For shower base installation
- Opening Width - Min: 27" (686 mm)
- Opening Width - Max: 28-1/2" (724 mm)
- Walk-through - Min: 22-5/16" (566 mm)
- Base-To-Wall Radius - Max: 1/2" (13 mm)
- Glass thickness: 5/16" (8 mm)
- Glass coating: CleanCoat®

**Notes**

- Install this product according to the installation instructions.
- The vertical opening should be a minimum of 67" (1702 mm) to allow for installation clearance.