



# Finesse™ Peak®

## Headerless frameless pivot shower door

### 5699-24

#### Features

- CleanCoat® nanotechnology provides a smooth, nonstick surface to help prevent buildup of water stains, bacteria and mildew on your glass, to make it easy to clean and keep it looking like new.

#### Technology

- Heavy 5/16" glass for strength and stability.
- Tempered glass ensures maximum safety and durability.

#### Installation

- 3/8" (10 mm) out-of-plumb adjustability per side allows for simpler installation.
- Door can be installed to open to the left or right to suit your bathroom layout.
- Not for use in hospitality.
- For residential use only.

#### Recommended Products/Accessories

K-23723 Faucet cleaner

#### Included Components

Additional Components:

Hardware kit



#### Codes/Standards

ANSI Z97.1

CPSC 16CFR 1201

#### STERLING® Warranty - Bath and Shower Doors

See website for detailed warranty information.

#### Available Colors/Finishes

*Color tiles intended for reference only.*

Color	Code	Description
-------	------	-------------



ADR	Anodized Deep Bronze
-----	----------------------

N	Nickel
---	--------

S	Silver
---	--------

#### Available Glass Options

Code	Description
------	-------------

G05	Clear
-----	-------

G03	Frosted
-----	---------

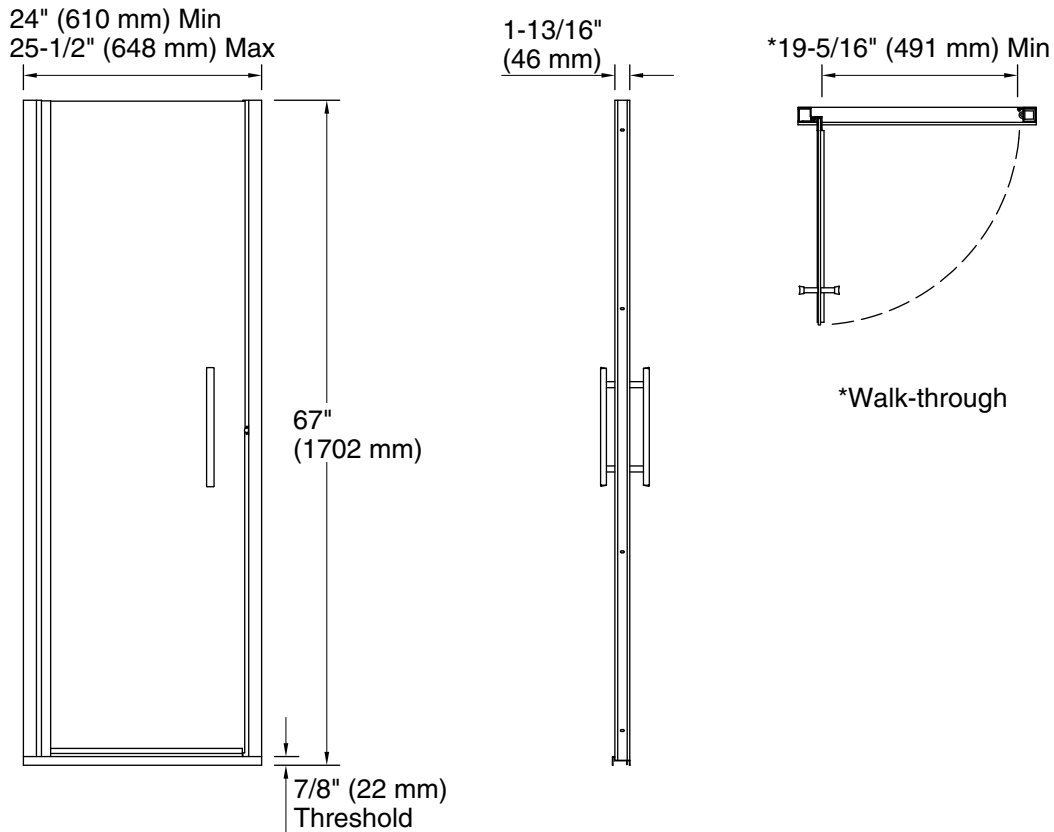
---

1-800-STERLING (1-800-783-7546)

Kohler Co. reserves the right to make revisions without notice to product specifications.

For the most current Specification Sheet, go to [www.sterlingplumbing.com](http://www.sterlingplumbing.com).

8-22-2020 10:10 - US/CA



**Technical Information**

All product dimensions are nominal.

Installation type: For shower base installation

Opening Width - Min: 24" (610 mm)

Opening Width - Max: 25-1/2" (648 mm)

Walk-through - Min: 19-5/16" (490 mm)

Base-To-Wall Radius 1/2" (13 mm)  
- Max:

Glass thickness: 5/16" (8 mm)

Glass coating: CleanCoat®

**Notes**

Install this product according to the installation instructions.

The vertical opening should be a minimum of 67" (1702 mm) to allow for installation clearance.