



# Finesse™ Peak®

Headerless frameless pivot shower door  
5699-24

## Technology

- Heavy 5/16" glass for strength and stability.
- CleanCoat® nanotechnology provides a smooth, nonstick surface to help prevent buildup of water stains, bacteria and mildew on your glass, to make it easy to clean and keep it looking like new.
- Tempered glass ensures maximum safety and durability.

## Installation

- 3/8" (10 mm) out-of-plumb adjustability per side allows for simpler installation.
- Door can be installed to open to the left or right to suit your bathroom layout.
- Not for use in hospitality.
- For residential use only.

## Recommended Products/Accessories

K-23723 Faucet cleaner

## Included Components

Additional Components:  
Hardware kit



## Codes/Standards

ANSI Z97.1  
CPSC 16CFR 1201

## STERLING® Warranty - Bath and Shower Doors

See website for detailed warranty information.

## Available Colors/Finishes

*Color tiles intended for reference only.*

Color	Code	Description
	ADR	Anodized Deep Bronze
	N	Nickel
	S	Silver

## Available Glass Options

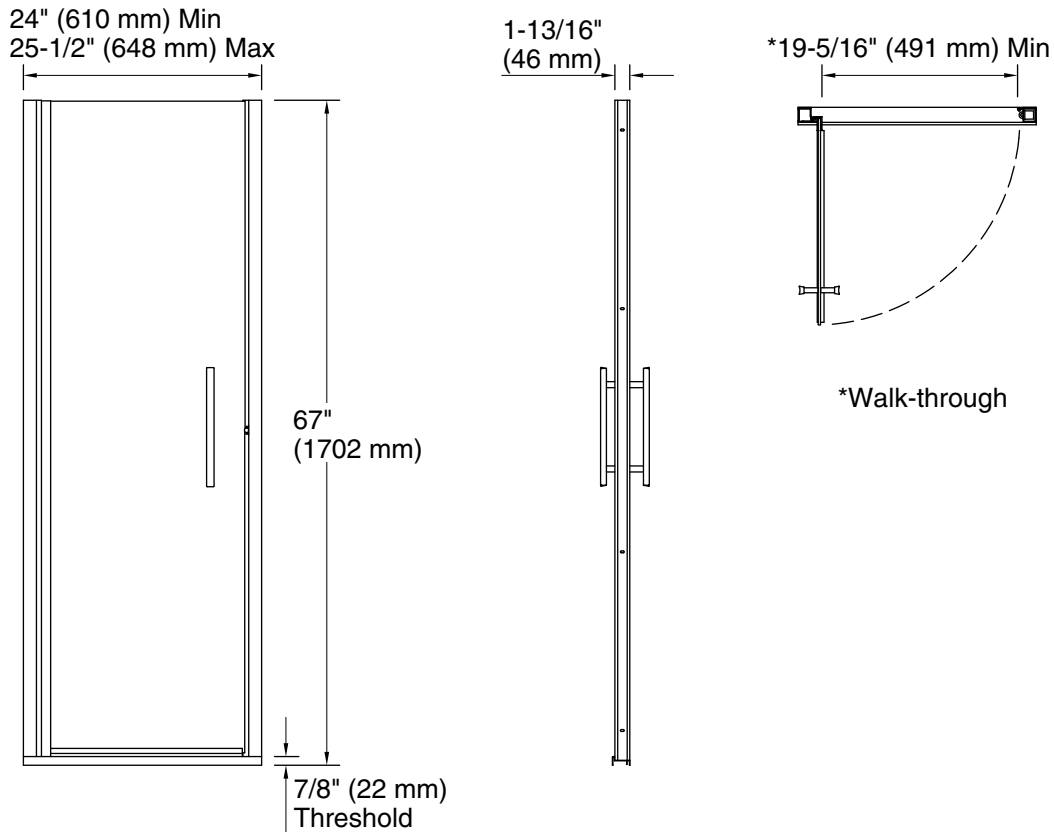
Code	Description
G05	Clear
G03	Frosted

1-800-STERLING (1-800-783-7546)

Kohler Co. reserves the right to make revisions without notice to product specifications.

For the most current Specification Sheet, go to [www.sterlingplumbing.com](http://www.sterlingplumbing.com).

5-14-2020 06:17 - US/CA



**Technical Information**

All product dimensions are nominal.  
 Installation type: For shower base installation  
 Opening Width - Min: 24" (610 mm)  
 Opening Width - Max: 25-1/2" (648 mm)  
 Walk-through - Min: 19-5/16" (490 mm)  
 Base-To-Wall Radius 1/2" (13 mm)  
 - Max:  
 Glass thickness: 5/16" (8 mm)  
 Glass coating: CleanCoat®

**Notes**

Install this product according to the installation instructions.  
 The vertical opening should be a minimum of 67" (1702 mm) to allow for installation clearance.