



Finesse™

Headerless frameless pivot shower door

5698-33

Features

- Heavy 1/4" (6 mm) glass for strength and stability
- CleanCoat®+ glass coating creates a hydrophobic barrier that repels water, soap scum, and residue, saving time and protecting shower doors 10 times longer than original CleanCoat. (Based on 2021 internal wear/abrasion testing using a microfiber cloth.)
- Tempered glass ensures enhanced safety and durability

Installation

- Out-of-plumb adjustability simplifies installation
- Door can be installed to open to the left or right to suit your bathroom layout
- Not for use in hospitality
- For residential use only



Codes/Standards

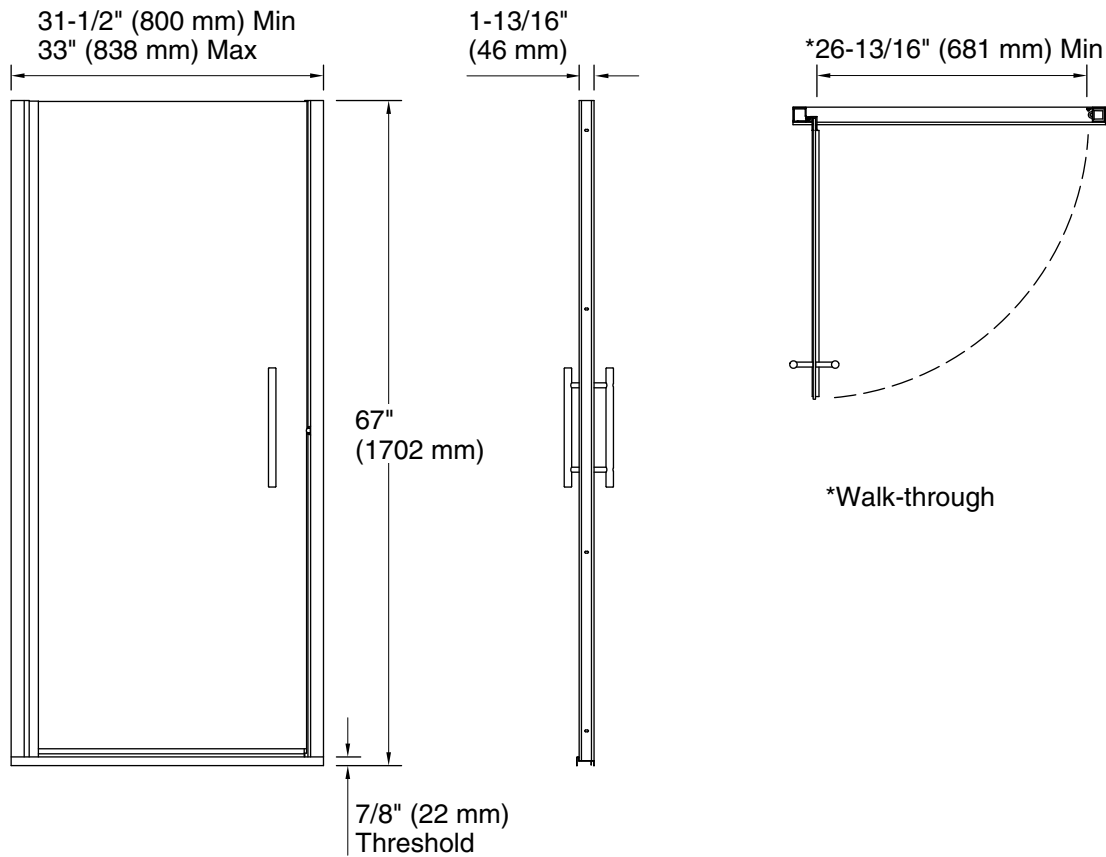
ANSI Z97.1
CAN/CGSB-12.1
CPSC 16CFR 1201

STERLING® Bath and Shower Doors Five-Year Limited Warranty

See website for detailed warranty information.

Available Glass Options

| Code | Description |
|------|-------------|
| G05 | Clear |
| G03 | Frosted |



Technical Information

All product dimensions are nominal.

- Base-To-Wall 1/2" (13 mm)
- Radius – Max:
- Shower Ledge Min 2-1/16" (52 mm)
- Flat:
- Shower Wall Min 1-1/2" (38 mm)
- Flat:

Notes

Install this product according to the installation instructions.

The vertical opening should be a minimum of 67" (1702 mm) to allow for installation clearance.