



# Finesse™

## Headerless frameless pivot shower door

### 5698-24

#### Features

- Heavy 1/4" (6 mm) glass for strength and stability
- CleanCoat®+ glass coating creates a hydrophobic barrier that repels water, soap scum, and residue, saving time and protecting shower doors 10 times longer than original CleanCoat. (Based on 2021 internal wear/abrasion testing using a microfiber cloth.)
- Tempered glass ensures enhanced safety and durability

#### Installation

- Out-of-plumb adjustability simplifies installation
- Door can be installed to open to the left or right to suit your bathroom layout
- Not for use in hospitality
- For residential use only



#### Codes/Standards

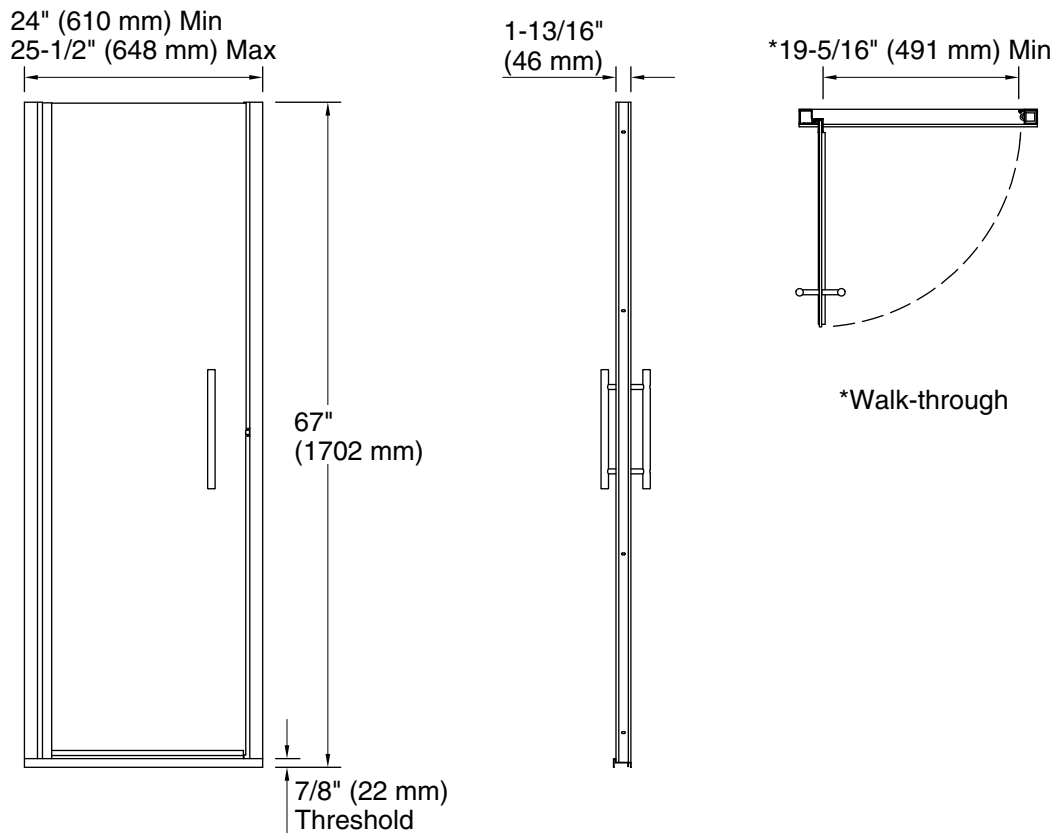
ANSI Z97.1  
CAN/CGSB-12.1  
CPSC 16CFR 1201

#### STERLING® Bath and Shower Doors Five-Year Limited Warranty

See website for detailed warranty information.

#### Available Glass Options

Code	Description
G05	Clear
G03	Frosted



### Technical Information

All product dimensions are nominal.

Base-To-Wall	1/2" (13 mm)
Radius – Max:	
Shower Ledge Min	2-1/16" (52 mm)
Flat:	
Shower Wall Min	1-1/2" (38 mm)
Flat:	

### Notes

Install this product according to the installation instructions.

The vertical opening should be a minimum of 67" (1702 mm) to allow for installation clearance.