

**Features**

- Heavy 1/4" (6 mm) glass for strength and stability.
- CleanCoat® nanotechnology provides a smooth, nonstick surface to help prevent buildup of water stains, bacteria and mildew on your glass, to make it easy to clean and keep it looking like new.

**Technology**

- Tempered glass ensures maximum safety and durability.

**Installation**

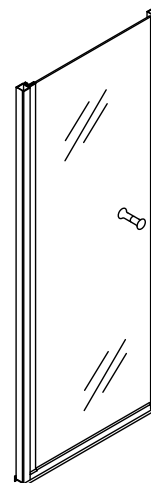
- 3/8" (10 mm) out-of-plumb adjustability per side allows for simpler installation.
- Door can be installed to open to the left or right to suit your bathroom layout.
- Not for use in hospitality.
- For residential use only.

**Recommended Products/Accessories**

K-23723 Faucet cleaner

**Included Components**

Additional Components:  
Hardware kit



**Codes/Standards**

ANSI Z97.1  
CPSC 16CFR 1201

**STERLING® Warranty - Bath and Shower Doors**

See website for detailed warranty information.

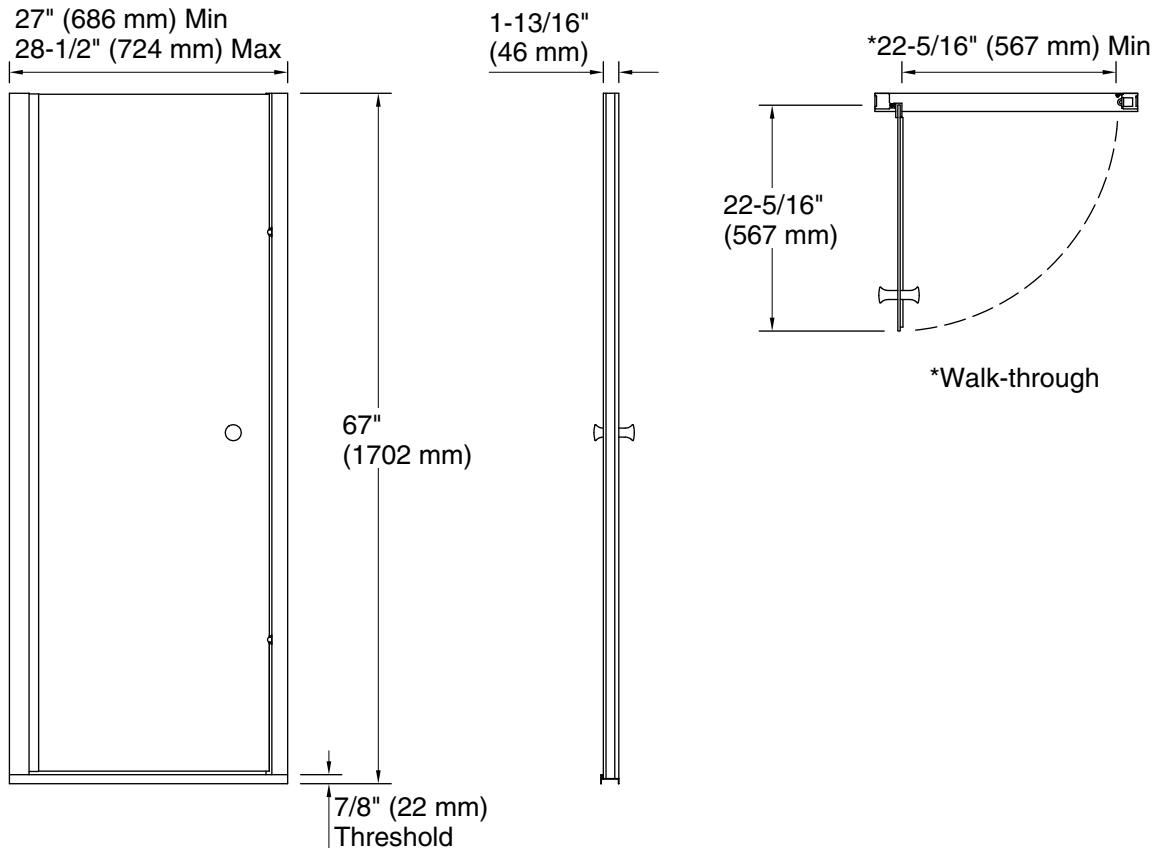
**Available Colors/Finishes**

*Color tiles intended for reference only.*

Color	Code	Description
	ADR	Anodized Deep Bronze
	N	Nickel
	S	Silver

**Available Glass Options**

Code	Description
G05	Clear
G03	Frosted



**Technical Information**

All product dimensions are nominal.

Installation type: For shower base installation

Opening Width - Min: 27" (686 mm)

Opening Width - Max: 28-1/2" (724 mm)

Walk-through - Min: 22-5/16" (566 mm)

Base-To-Wall Radius 1/2" (13 mm)

- Max:

Glass thickness: 1/4" (6 mm)

Glass coating: CleanCoat®

**Notes**

Install this product according to the installation instructions.

The vertical opening should be a minimum of 67" (1702 mm) to allow for installation clearance.