

Features

- CleanCoat®+ glass coating creates a hydrophobic barrier that repels water, soap scum, and residue, saving time and protecting shower doors 10 times longer than original CleanCoat. (Based on 2021 internal wear/abrasion testing using a microfiber cloth.)
- Smooth, quiet operation
- Tempered glass ensures enhanced safety and durability

Technology

- Nickel frame finish
- Includes two towel bars

Installation

- Sliding shower door
- Not for use in hospitality
- For residential use only



Codes/Standards

ANSI Z97.1
CAN/CGSB-12.1
CPSC 16CFR 1201

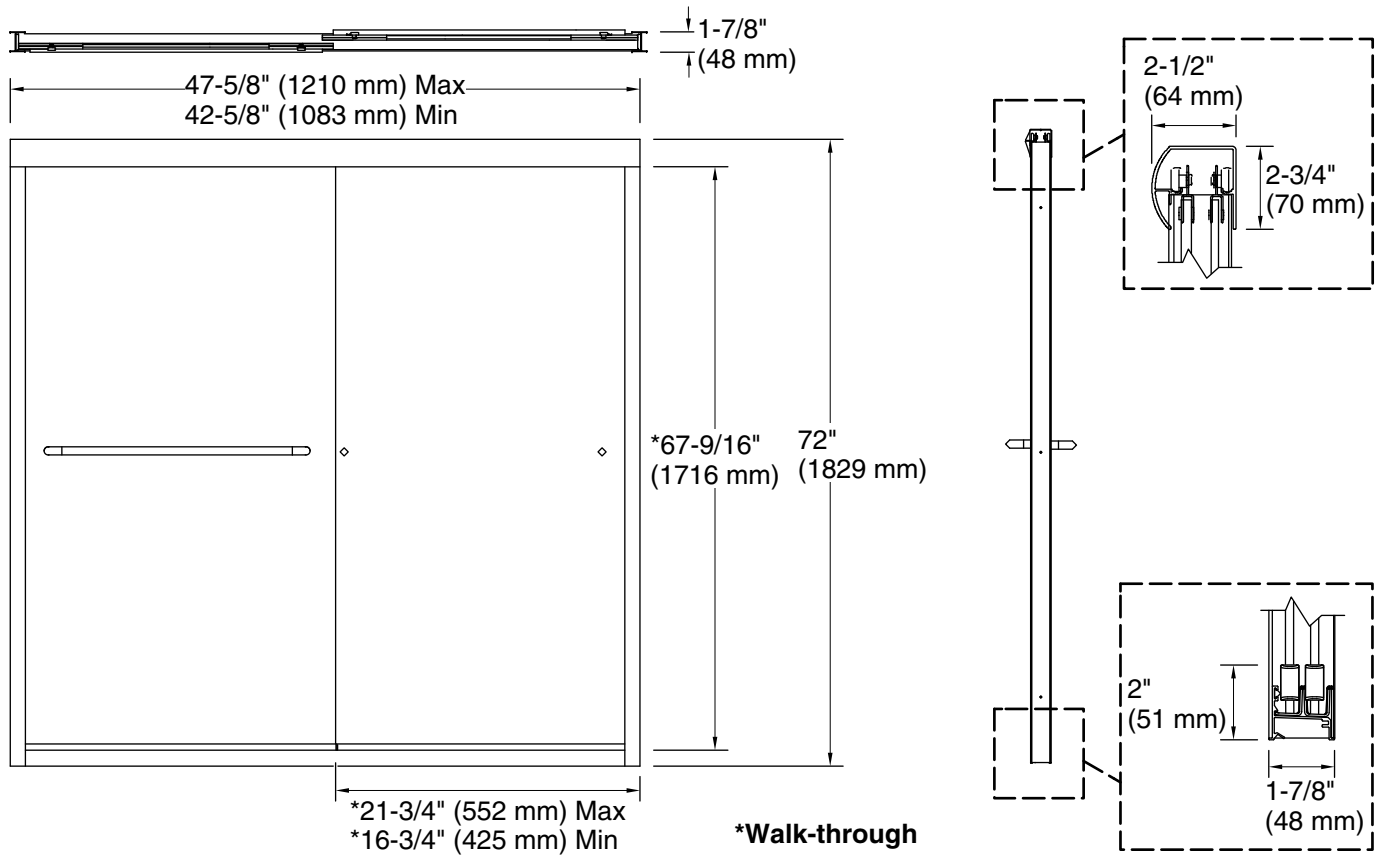
STERLING® Bath and Shower Doors Five-Year Limited Warranty

See website for detailed warranty information.

Available Glass Options

Code	Description
------	-------------

	Lake Mist™
--	------------



Technical Information

All product dimensions are nominal.

- Base-To-Wall 1/2" (13 mm)
- Radius – Max:
- Shower Ledge Min 2-1/8" (54 mm)
- Flat:
- Shower Wall Min 2-11/16" (68 mm)
- Flat:

Notes

- Install this product according to the installation guide.
- The vertical opening should be a minimum of 74-3/16" (1884 mm) to allow for installation clearance.