

Material

- Frameless, 1/4" (6 mm) thick tempered glass.

Technology

- CleanCoat® nanotechnology provides a smooth, nonstick surface to help prevent buildup of water stains, bacteria and mildew on your glass, to make it easy to clean and keep it looking like new.
- Inside and outside towel bars complete the look of this door.
- Tempered glass ensures maximum safety and durability.
- Anodized aluminum prevents rusting and corrosion.

Installation

- Out-of-plumb adjustability allows for simpler installation.
- Not for use in hospitality.
- For residential use only.

Included Components

Additional Components:
Hardware kit



Codes/Standards





ANSI Z97.1
CPSC 16CFR 1201

**STERLING® Bath and Shower Doors
Five-Year Limited Warranty**

See website for detailed warranty information.

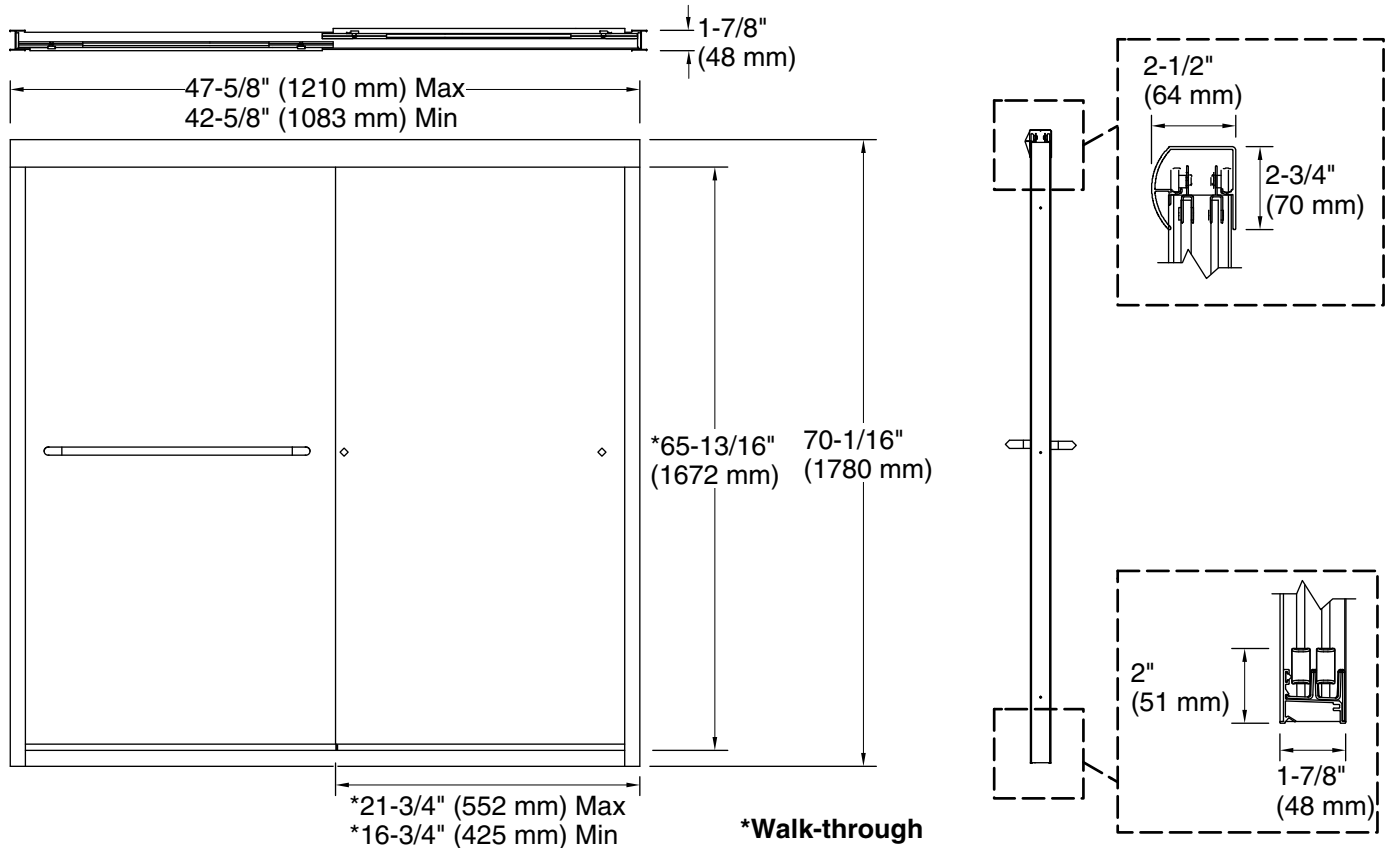
Available Colors/Finishes

Color tiles intended for reference only.

Color	Code	Description
	DR	Deep Bronze
	N	Nickel
	PBL	Matte Black
	S	Silver

Available Glass Options

Code	Description
G75	Boxwood™
G74	Cirkette™
G05	Clear
G03	Frosted
G72	Grafite™
G69	Lake Mist™
G68	Oak Park™
G76	Starscape™



Technical Information

All product dimensions are nominal.

Installation type: For shower base installation

Opening Width - Min: 42-5/8" (1083 mm)

Opening Width - Max: 47-5/8" (1210 mm)

Walk-through - Min: 16-15/16" (430 mm)

Walk-through - Max: 21-15/16" (557 mm)

Base-To-Wall Radius 1/2" (13 mm)

– Max:

Glass thickness: 1/4" (6 mm)

Glass coating: CleanCoat®

Notes

Install this product according to the installation guide.

The vertical opening should be a minimum of 72-7/16" (1840 mm) to allow for installation clearance.