



Finesse™

Frameless sliding bath door

5425-59

Features

- Frameless.
- 1/4" (6 mm) thick tempered glass.

Technology

- CleanCoat® nanotechnology provides a smooth, nonstick surface to help prevent buildup of water stains, bacteria and mildew on your glass, to make it easy to clean and keep it looking like new.
- Reversible top track.
- Inside and outside towel bars complete the look of this door.
- Out-of-plumb adjustability.
- Tempered glass ensures maximum safety and durability.
- Anodized aluminum prevents rusting and corrosion.

Installation

- Not for use in hospitality.
- For residential use only.

Recommended Products/Accessories

K-23723 Faucet cleaner

Included Components

Additional Components:
Hardware kit



Codes/Standards





ANSI Z97.1
CPSC 16CFR 1201

STERLING® Warranty - Bath and Shower Doors

See website for detailed warranty information.

Available Colors/Finishes

Color tiles intended for reference only.

Color	Code	Description
	DR	Deep Bronze
	N	Nickel
	PBL	Matte Black
	S	Silver

Available Glass Options

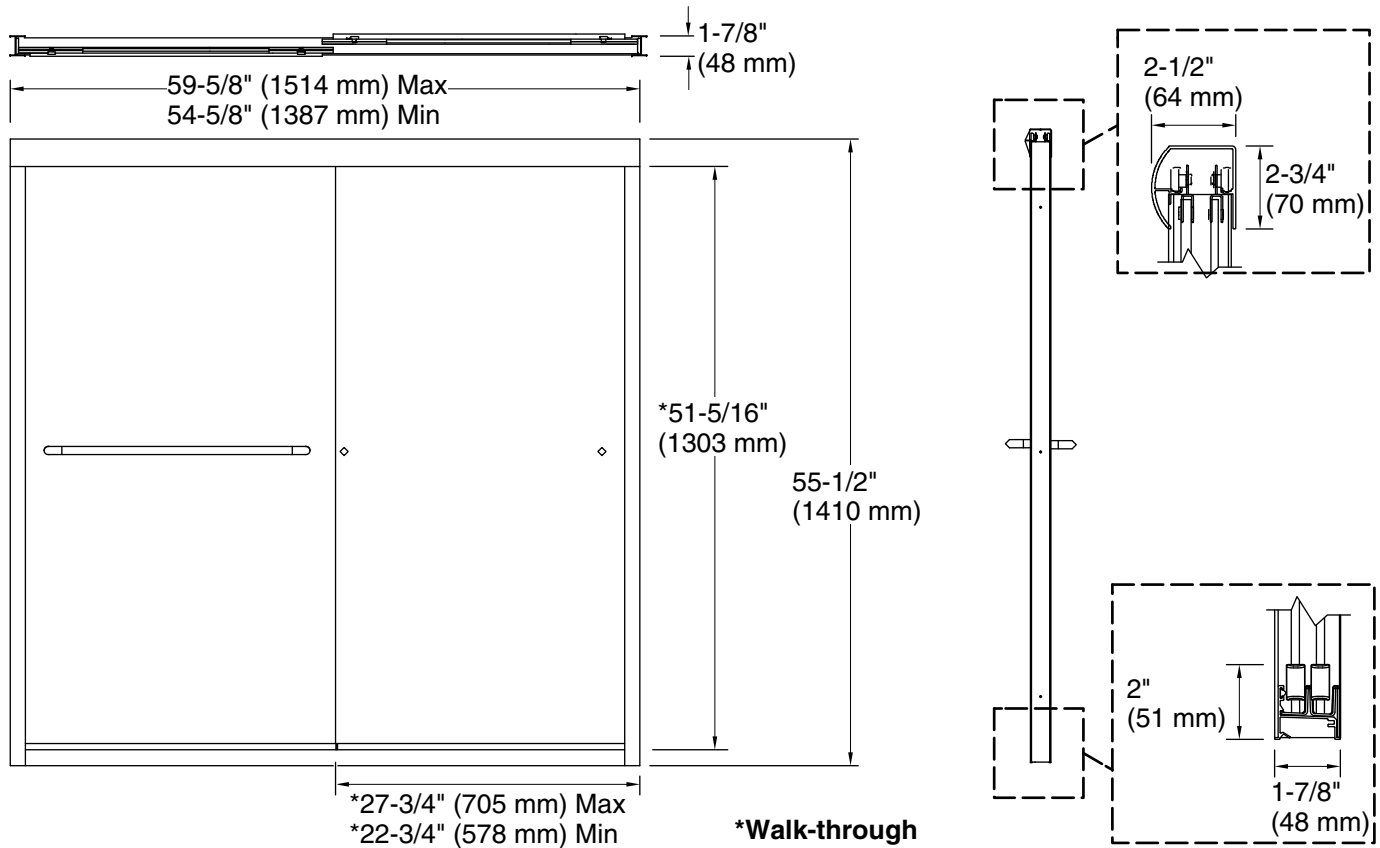
Code	Description
	Boxwood™
	Cirkette™
	Clear
	Frosted
	Grafite™
	Lake Mist™
	Oak Park™
	Starscape™

1-800-STERLING (1-800-783-7546)

Kohler Co. reserves the right to make revisions without notice to product specifications.

For the most current Specification Sheet, go to www.sterlingplumbing.com.

5-2-2020 04:06 - US/CA



Technical Information

All product dimensions are nominal.

Installation type: For bath installation

Opening Width - Min: 54-5/8" (1387 mm)

Opening Width - Max: 59-5/8" (1514 mm)

Walk-through - Min: 22-15/16" (583 mm)

Walk-through - Max: 27-15/16" (710 mm)

Base-To-Wall Radius 1/2" (13 mm)

– Max:

Glass thickness: 1/4" (6 mm)

Glass coating: CleanCoat®

Notes

Install this product according to the installation guide.

The vertical opening should be a minimum of 57-1/2" (1461 mm) to allow for installation clearance.