

**Features**

- Frameless.
- 1/4" (6 mm) thick tempered glass.

**Technology**

- CleanCoat® nanotechnology provides a smooth, nonstick surface to help prevent buildup of water stains, bacteria and mildew on your glass, to make it easy to clean and keep it looking like new.
- Quick Install system.
- Inside and outside towel bars complete the look of this door.
- Out-of-plumb adjustability.
- Tempered glass ensures maximum safety and durability.
- Anodized aluminum prevents rusting and corrosion.

**Installation**

- Not for use in hospitality.
- For residential use only.

**Included Components**

Additional Components:  
Hardware kit  
hex wrench



**DISCONTINUED** This product has been discontinued.

**DISCONTINUED** This product has been discontinued.

**STERLING® Warranty - Bath and Shower Doors**  
See website for detailed warranty information.

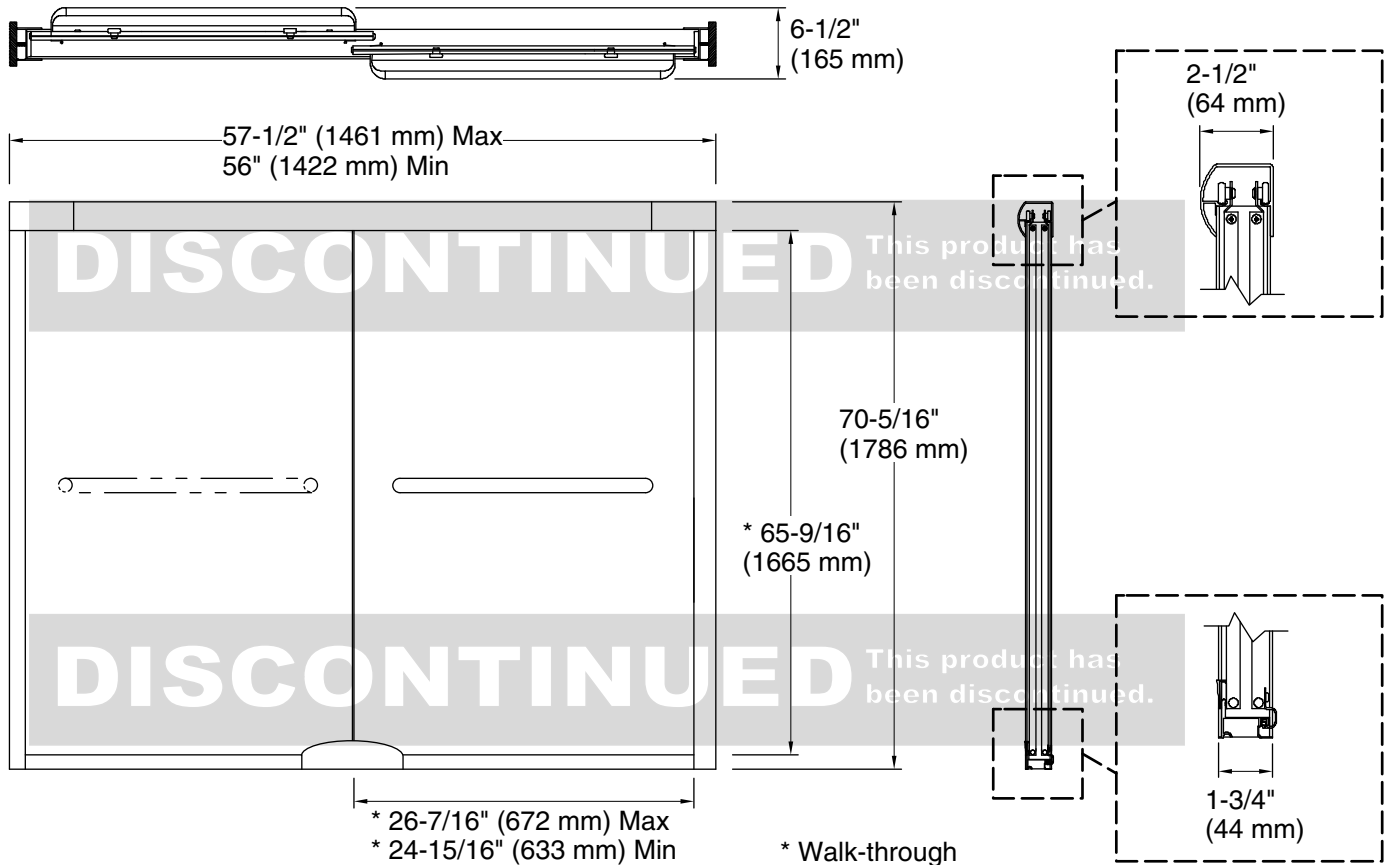
**Codes/Standards**

ANSI Z97.1  
CPSC 16CFR 1201

**Available Glass Options**

Code	Description
	Clear
	Lake Mist™

**DISCONTINUED** This product has been discontinued.



**Technical Information**

All product dimensions are nominal.

Installation type: For shower base installation

Opening Width - Min: 56" (1422 mm)

Opening Width - Max: 57-1/2" (1461 mm)

Walk-through - Min: 24-15/16" (633 mm)

Walk-through - Max: 26-7/16" (672 mm)

Glass thickness: 1/4" (6 mm)

Glass coating: CleanCoat®

**Notes**

Install this product according to the installation guide.

The vertical opening should be a minimum of 72-5/16" (1837 mm) to allow for installation clearance.