

Technology

- CleanCoat® nanotechnology provides a smooth, nonstick surface to help prevent buildup of water stains, bacteria and mildew on your glass, to make it easy to clean and keep it looking like new.
- No cutting or drilling required.
- Frameless style minimizes framing around the glass.
- Inside and outside towel bars complete the look of this door.

Installation

- Not for use in hospitality.
- For residential use only.

Included Components

Additional Components:
Hardware kit
hex wrench



Codes/Standards

ANSI Z97.1
CPSC 16CFR 1201

DISCONTINUED

STERLING® Warranty - Bath and Shower Doors

See website for detailed warranty information.

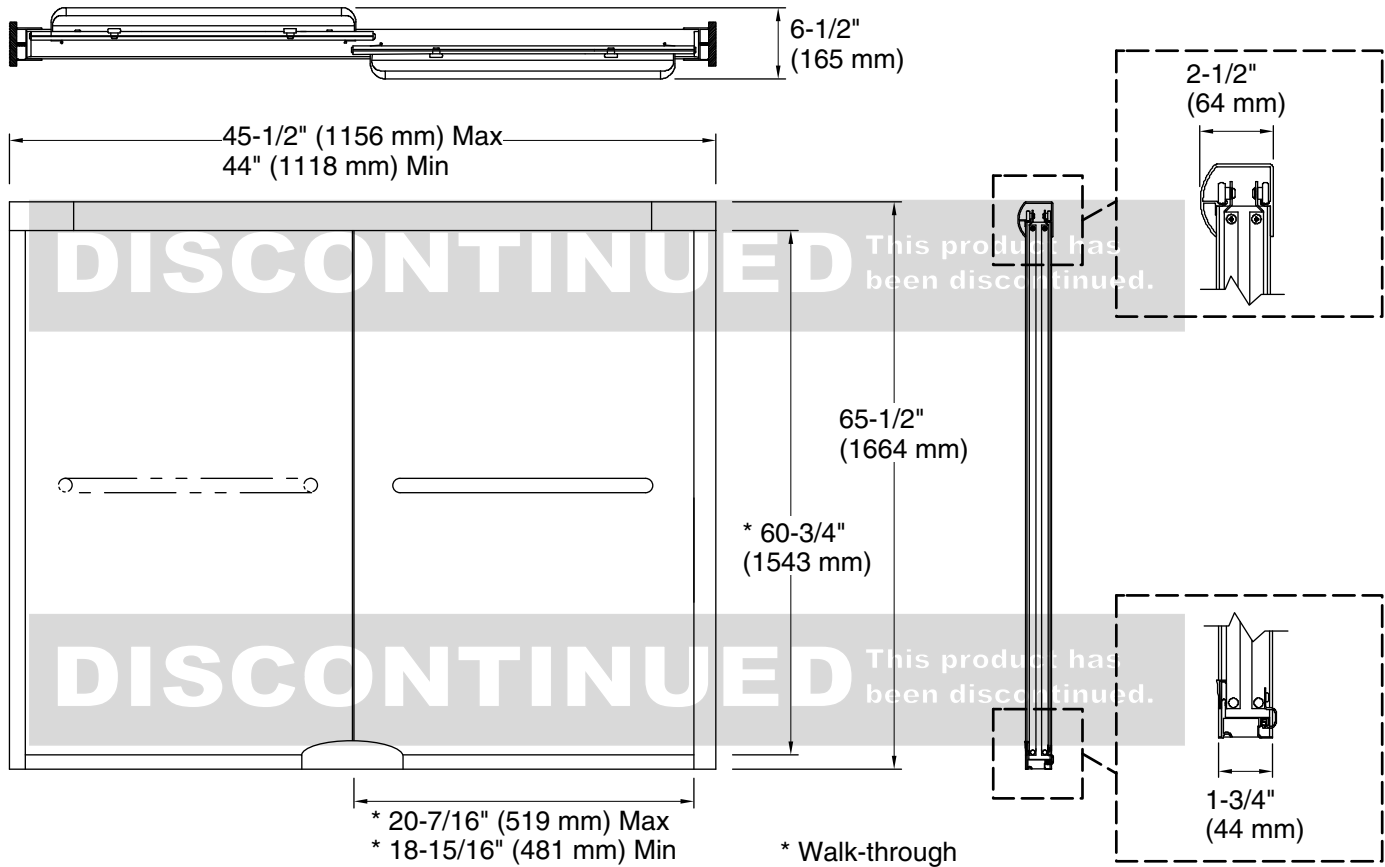
Available Glass Options

Code Description

Clear
Lake Mist™

DISCONTINUED

This product has been discontinued.



Technical Information

All product dimensions are nominal.

Installation type: For shower base installation

Opening Width - Min: 44" (1118 mm)

Opening Width - Max: 45-1/2" (1156 mm)

Walk-through - Min: 18-15/16" (481 mm)

Walk-through - Max: 20-7/16" (519 mm)

Glass thickness: 1/4" (6 mm)

Glass coating: CleanCoat®

Notes

Install this product according to the installation guide.

The vertical opening should be a minimum of 67-1/2" (1715 mm) to allow for installation clearance.