

Features

- Frameless.
- 1/4" (6 mm) thick tempered glass.
- CleanCoat®+ glass coating creates a hydrophobic barrier that repels water, soap scum, and residue, saving time and protecting shower doors 10 times longer than original CleanCoat. (Based on 2021 internal wear/abrasion testing using a microfiber cloth.)
- Interior and exterior towel bars complete the look of this door.
- Tempered glass ensures enhanced safety and durability.

Material

- Anodized aluminum prevents rust and corrosion.

Technology

- Quick Install system.

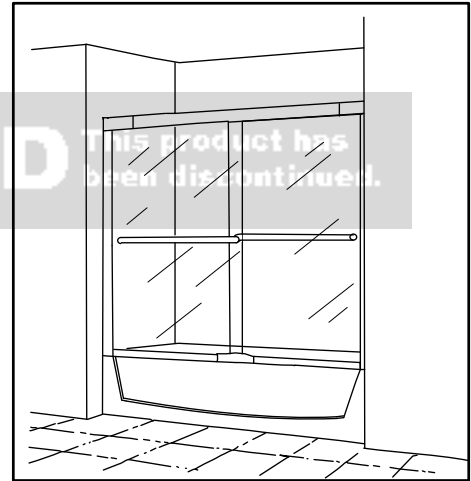
Installation

- Out-of-plumb adjustability simplifies installation.
- Not for use in hospitality.
- For residential use only.

Included Components

Additional Components:

- Hardware kit
- hex wrench



Codes/Standards

ANSI Z97.1

CPSC 16CFR 1201

STERLING® Warranty - Bath and Shower Doors

See website for detailed warranty information.

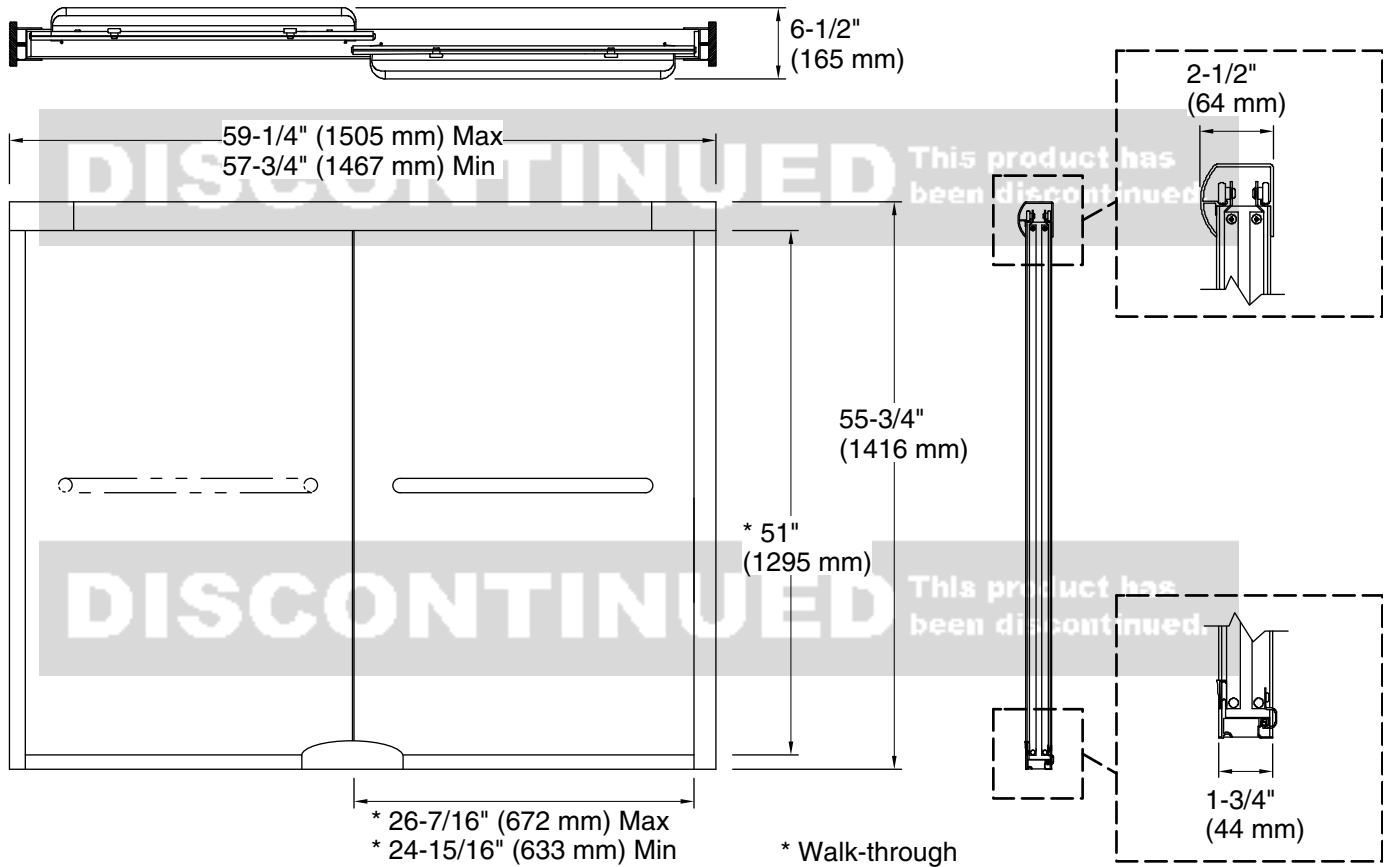
Available Glass Options

Code	Description
------	-------------

	Clear
--	-------

	Lake Mist™
--	------------

DISCONTINUED This product has been discontinued.



Technical Information

All product dimensions are nominal.

Installation type: For bath installation

Opening Width - 57-3/4" (1467 mm)

Min:

Opening Width - 59-1/4" (1505 mm)

Max:

Walk-through - Min: 24-15/16" (633 mm)

Walk-through - Max: 26-7/16" (672 mm)

Glass thickness: 1/4" (6 mm)

Glass coating: CleanCoat®

Notes

Install this product according to the installation guide.

The vertical opening should be a minimum of 57-3/4" (1467 mm) to allow for installation clearance.