



Southhaven® X

Top-mount Kitchen Sink
45987-3

Features

- Three faucet holes.
- 9-1/4" depth provides generous workspace.
- 3-5/8" (92 mm) drain opening.
- Stainless steel with luster bowl finish and a satin deck finish.

Material

- Premium 18-gauge stainless steel.

Installation

- Top-mount.

Recommended Products/Accessories

7400 Stainless Steel Sink Drain and Strainer
K-23726 Drain treatment
K-23729 Stainless steel cleaner

Included Components

Product consists of:
1150001

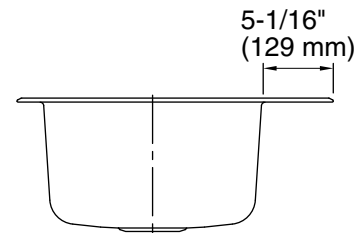
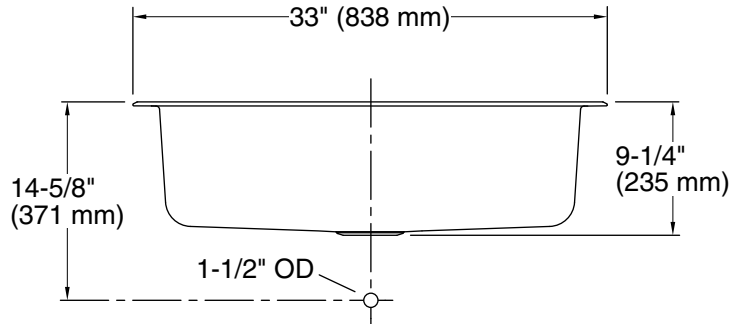
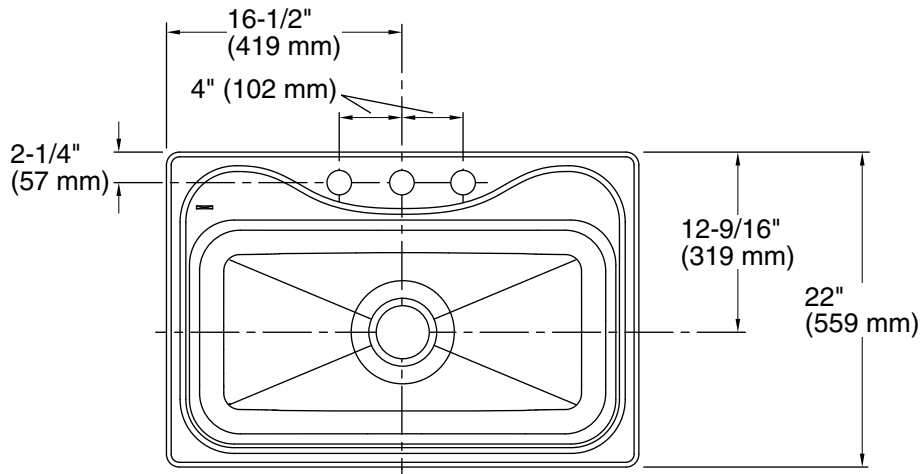


Codes/Standards

ASME A112.19.3/CSA B45.4

STERLING® Warranty - Stainless Steel Sinks

See website for detailed warranty information.



Technical Information

All product dimensions are nominal.

Bowl configuration: Single

Installation: Top-mount

Min. base cabinet width: 36" (914 mm)

Bowl area (Only): Length: 29-1/4" (743 mm)
Width: 15" (381 mm)
Bowl depth: 9-1/4" (235 mm)
Water depth: 9" (229 mm)

Number of deck holes: 3

Faucet hole(s): 1-7/16" (37 mm)

Drain hole: 3-5/8" (92 mm)

Template: 1032929-7, not required, not included

Notes

Install this product according to the installation instructions.

Measure your actual product for roughing-in details.