



Wescott®
Undermount bathroom sink
442040

Features

- No faucet holes; requires wall- or counter-mount faucet.
- Center drain and overflow.

Material

- Grade A vitreous china with a hard, glossy finish.

Installation

- Undermount.

Recommended Products/Accessories

- K-8998 P-Trap
- K-23726 Drain treatment
- K-23725 Cast iron cleaner

Included Components

Product consists of:

- 52047 Clamp Accessory Pack, 4 Ea.



ADA

Codes/Standards



ASME A112.19.2/CSA B45.1
ADA
ICC/ANSI A117.1

STERLING® Warranty - Toilets and Lavatories

See website for detailed warranty information.

Available Colors/Finishes

Color tiles intended for reference only.

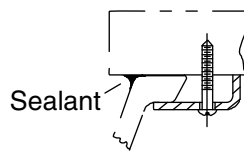
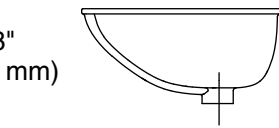
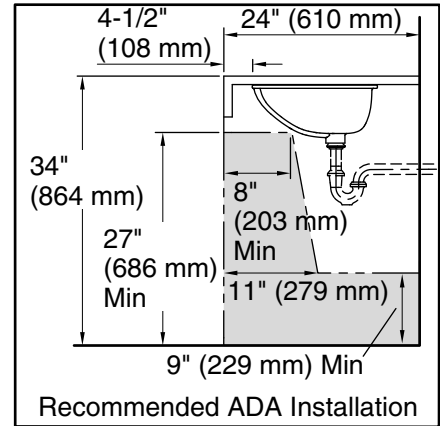
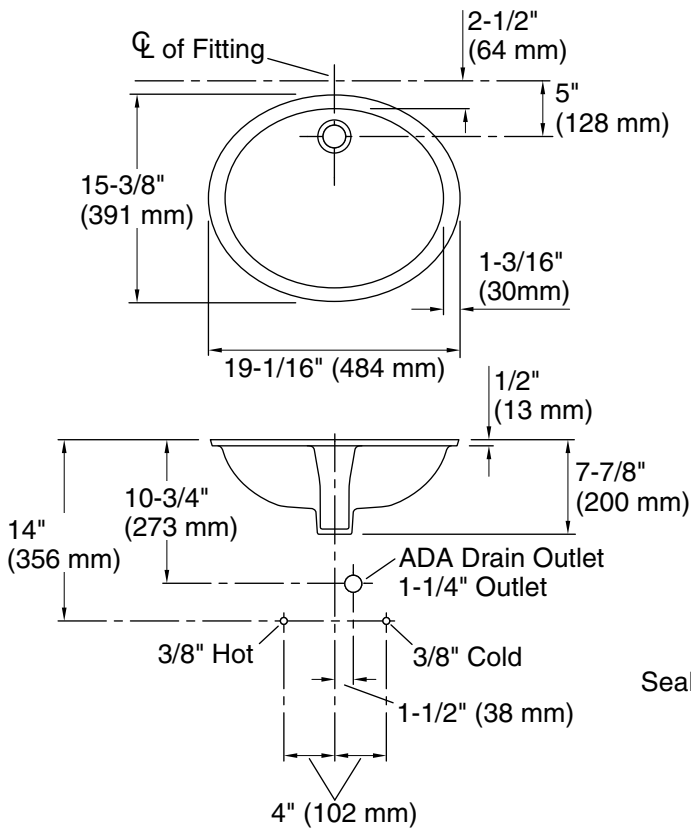
Color	Code	Description
	0	White
	96	KOHLER Biscuit

1-800-STERLING (1-800-783-7546)

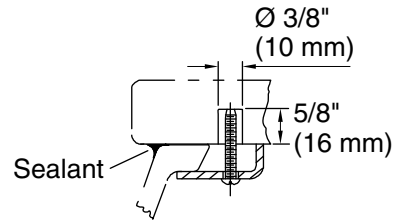
Kohler Co. reserves the right to make revisions without notice to product specifications.

For the most current Specification Sheet, go to www.sterlingplumbing.com.

5-29-2021 06:40 - US/CA/MX



Wood Installation



Marble Installation

Technical Information

All product dimensions are nominal.
 Bowl configuration: Single
 Installation: Under-mount
 Bowl area (Only): Water depth: 4" (102 mm)
 Drain hole: 1-3/4" (44 mm)
 Template: 1034559-7, required, included

Notes

Install this product according to the installation instructions.
 Measure your actual product for roughing-in details.
 ADA compliant when installed to the specific requirements of these regulations.