

**Features**

- Barrier-free, wall-mount installation.
- Grade A vitreous china with a hard, glossy finish.
- 8 widespread faucet holes.
- Center drain and overflow.

**Recommended Products/Accessories**

- K-23726 Drain treatment
- K-23725 Cast iron cleaner

**Included Components**

Additional Components:

- Hanger(s)
- Vitreous Lav



**DISCONTINUED**

**ADA**

**Codes/Standards**

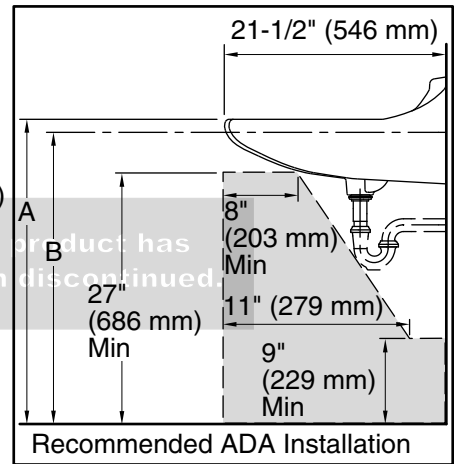
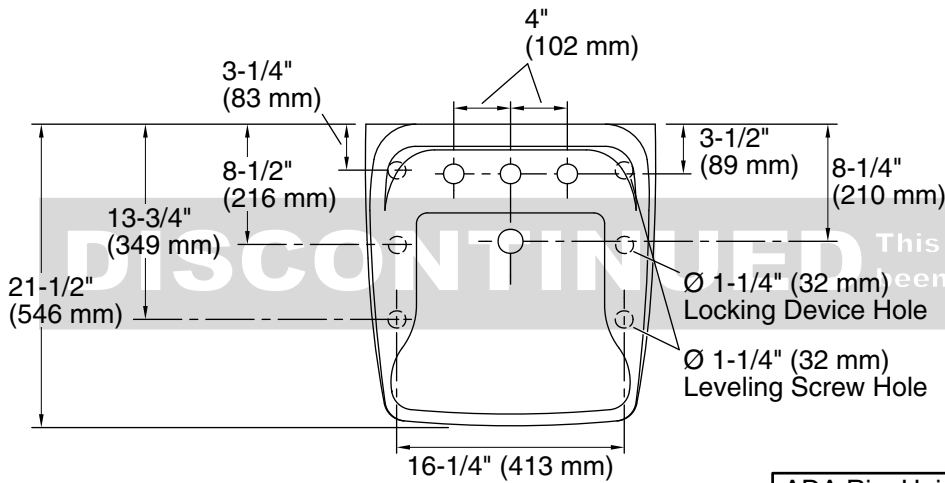
ASME A112.19.2/CSA B45.1  
All applicable US Federal and State material regulations  
ADA  
ICC/ANSI A117.1

**STERLING® Brand Five-Year Limited  
Warranty – R11402-2PC-NA**

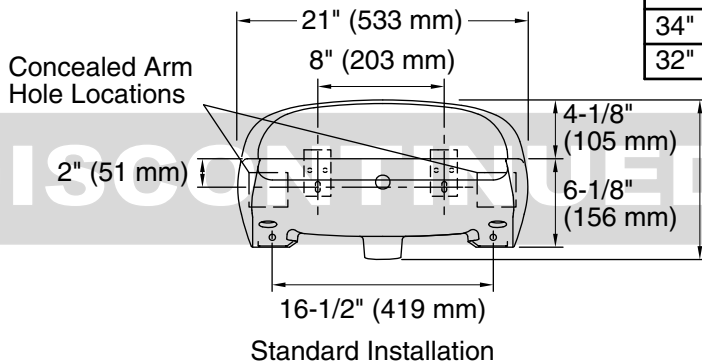
See website for detailed warranty information.

**DISCONTINUED**

This product has  
been discontinued.



ADA Rim Height = A	ADA Arm Carrier Height = B
34" (864 mm) Max	32" (813 mm) Max
32" (813 mm) Min	30" (762 mm) Min



**Technical Information**

All product dimensions are nominal.

Bowl configuration: Single

Installation: Wall-mount

Bowl area: With overflow: Yes

**Notes**

Install this product according to the installation instructions.

ADA compliant when installed to the specific requirements of these regulations.

**DISCONTINUED** This product has been discontinued.