



# Worthington™

Wall-Mount Lavatory  
442034

## Features

- Barrier-free, wall-mount installation.
- Grade A vitreous china with a hard, glossy finish.
- 4 centerset faucet holes.
- Center drain and overflow.

## Recommended Products/Accessories

- K-23726 Drain treatment
- K-23725 Cast iron cleaner

## Included Components

- Additional Components:  
Hanger(s)



ADA

## Codes/Standards

ASME A112.19.2/CSA B45.1  
ADA  
ICC/ANSI A117.1

## STERLING® Brand Five-Year Limited Warranty – R11402-2PC-NA

See website for detailed warranty information.

## Available Colors/Finishes

*Color tiles intended for reference only.*

### Color Code Description

■ 0 White

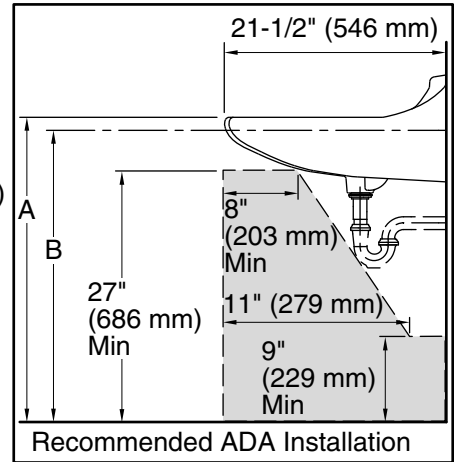
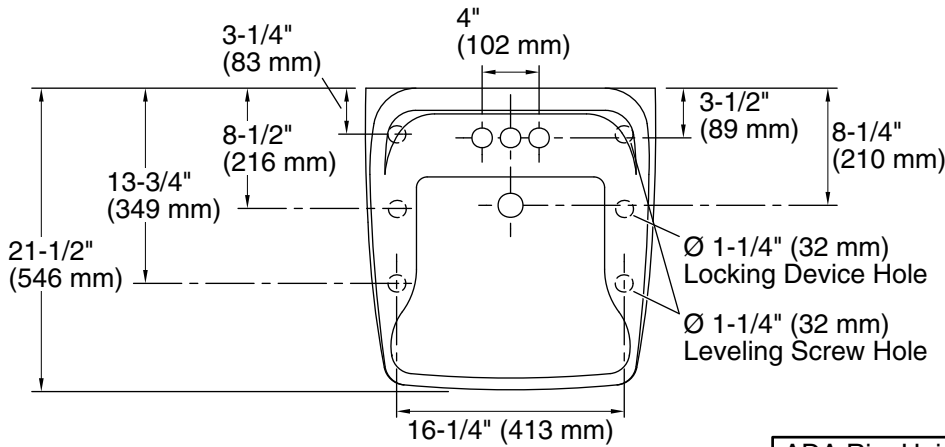
---

1-800-STERLING (1-800-783-7546)

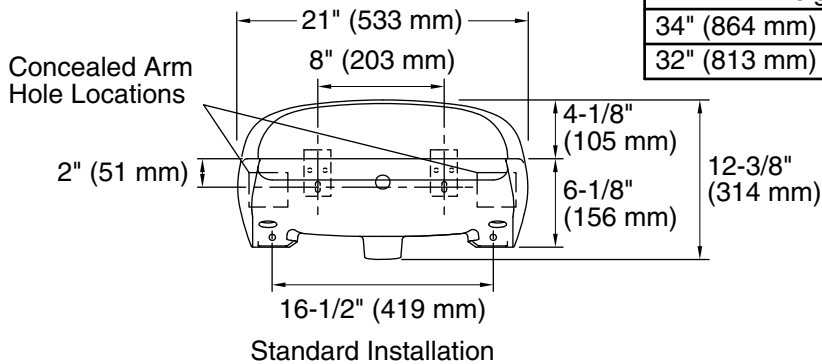
Kohler Co. reserves the right to make revisions without notice to product specifications.

For the most current Specification Sheet, go to [www.sterlingplumbing.com](http://www.sterlingplumbing.com).

2-10-2020 11:54 - US/CA



ADA Rim Height = A	ADA Arm Carrier Height = B
34" (864 mm) Max	32" (813 mm) Max
32" (813 mm) Min	30" (762 mm) Min



**Technical Information**

All product dimensions are nominal.  
 Bowl configuration: Single  
 Installation: Wall-mount  
 Bowl area: With overflow: Yes

**Notes**

Install this product according to the installation instructions.  
 ADA compliant when installed to the specific requirements of these regulations.