

Features

- Grade A vitreous china with a hard, glossy finish.
- 8 widespread faucet holes.
- Center drain and overflow.

Installation

- Drop-in.

Recommended Products/Accessories

- K-23726 Drain treatment
- K-23725 Cast iron cleaner



ADA

Codes/Standards

ASME A112.19.2/CSA B45.1
ADA
ICC/ANSI A117.1



STERLING® Warranty - Toilets and Lavatories

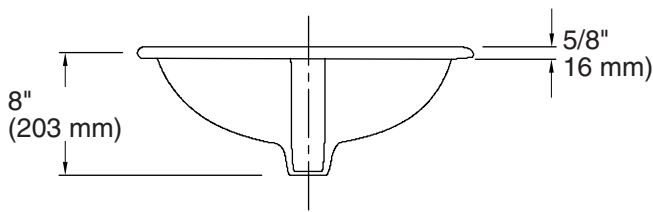
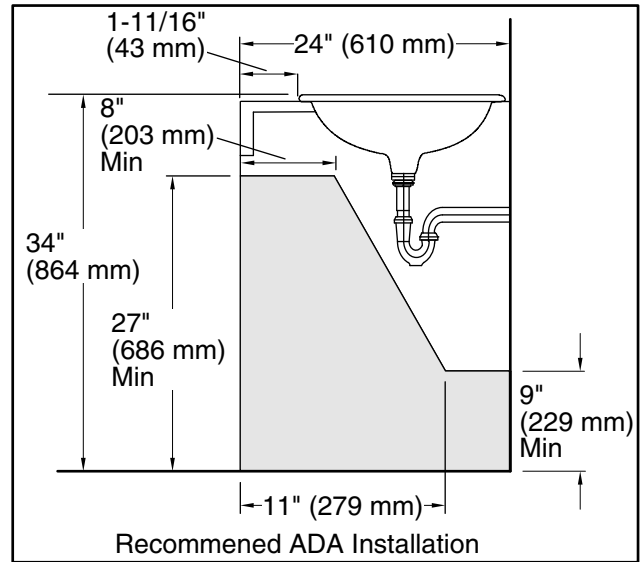
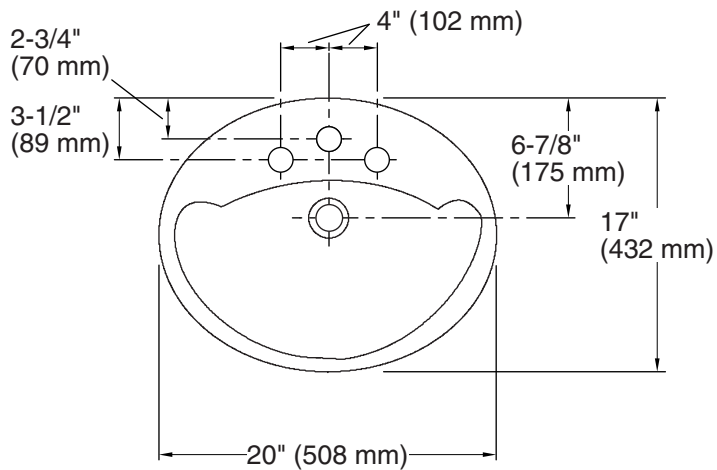
See website for detailed warranty information.

Available Colors/Finishes

Color tiles intended for reference only.

Color Code Description

	0	White
	96	KOHLER Biscuit



Technical Information

All product dimensions are nominal.

- Bowl configuration: Single
 Installation: Drop-in
 Bowl area (Only): Length: 17" (432 mm)
 Width: 10-7/8" (276 mm)
 Water depth: 4-7/8" (124 mm)
 Number of deck holes: 3
 Faucet hole spacing: 8" (203 mm)
 Faucet hole(s): 1-3/16" (30 mm)
 Drain hole: 1-3/4" (44 mm)
 Template: 1003767-7, required, included

Notes

- Install this product according to the installation instructions.
 Measure your actual product for roughing-in details.
 ADA compliant when installed to the specific requirements of these regulations.