



# Stinson®

Drop-in bathroom sink  
442007

## Features

- No faucet holes; requires wall- or counter-mount faucet.
- Center drain and overflow.
- Rectangular basin.
- With overflow.

## Material

- Vitreous china.

## Installation

- Drop-in.

## Recommended Products/Accessories

- K-23726 Drain treatment
- K-23725 Cast iron cleaner



ADA

## Codes/Standards




ASME A112.19.2/CSA B45.1  
ADA  
ICC/ANSI A117.1

## STERLING® Warranty - Toilets and Lavatories

See website for detailed warranty information.

## Available Colors/Finishes

*Color tiles intended for reference only.*

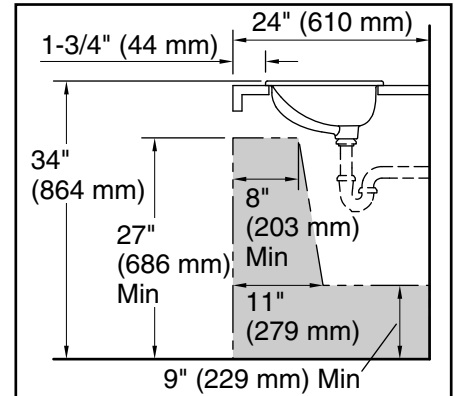
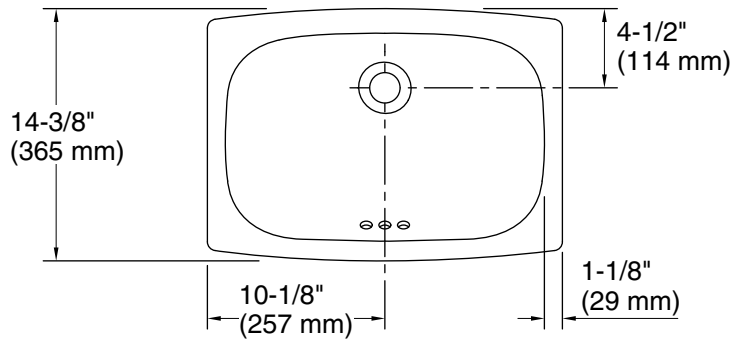
Color	Code	Description
	0	White
	96	KOHLER Biscuit
	47	Almond

1-800-STERLING (1-800-783-7546)

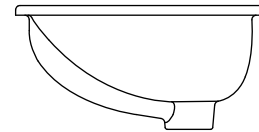
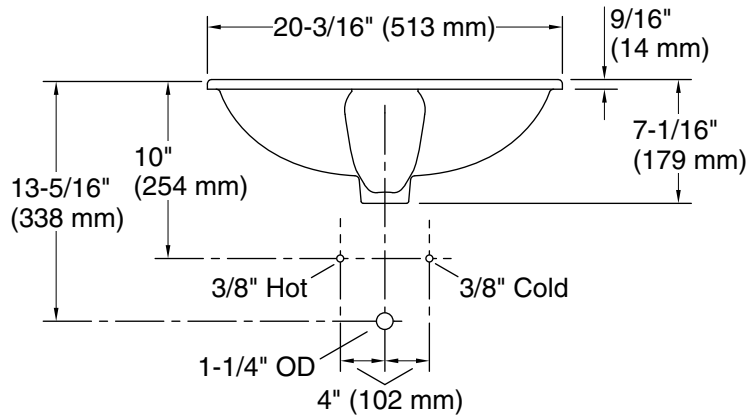
Kohler Co. reserves the right to make revisions without notice to product specifications.

For the most current Specification Sheet, go to [www.sterlingplumbing.com](http://www.sterlingplumbing.com).

5-29-2021 06:40 - US/CA/MX



Recommended ADA Installation



**Technical Information**

All product dimensions are nominal.

- Bowl configuration: Single
- Installation: Drop-in
- Bowl area (Only): Length: 18-3/16" (462 mm)  
Width: 12-3/16" (310 mm)  
Water depth: 5" (127 mm)
- Drain hole: 1-11/16" (43 mm)
- Template: 1084867-7, required, included

**Notes**

- Install this product according to the installation instructions.
- Measure your actual product for roughing-in details.
- ADA compliant when installed to the specific requirements of these regulations.