



Stinson®

Drop-in bathroom sink
442007

Features

- Center drain and overflow.
- Rectangular basin.
- With overflow.

Material

- Vitreous china.

Installation

- Drop-in.
- No faucet holes; requires wall-or counter-mount faucet.

Recommended Products/Accessories

- K-23726 Drain treatment
- K-23725 Cast iron cleaner



ADA

Codes/Standards




- ASME A112.19.2/CSA B45.1
- ADA
- ICC/ANSI A117.1

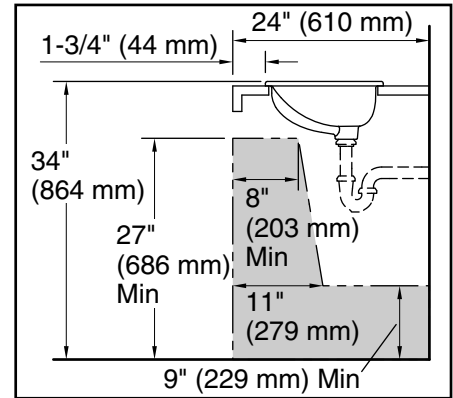
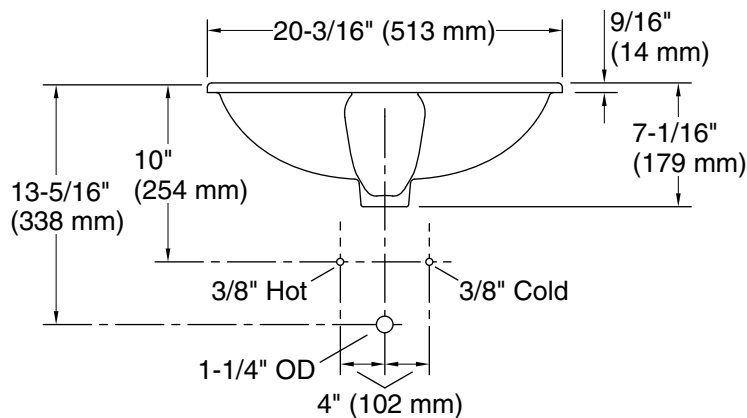
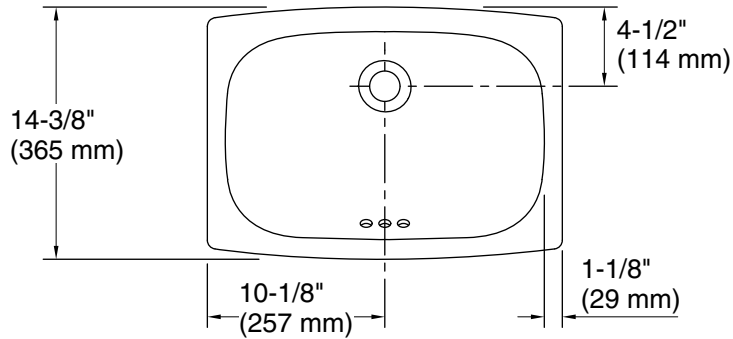
STERLING® Warranty - Toilets and Lavatories

See website for detailed warranty information.

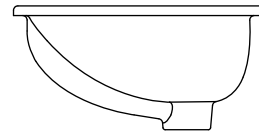
Available Colors/Finishes

Color tiles intended for reference only.

| Color | Code | Description |
|--|------|----------------|
|  | 0 | White |
|  | 96 | KOHLER Biscuit |
|  | 47 | Almond |



Recommended ADA Installation



Technical Information

All product dimensions are nominal.

- Bowl configuration: Single
- Installation: Drop-in
- Bowl area (Only): Length: 18-3/16" (462 mm)
Width: 12-3/16" (310 mm)
Water depth: 5" (127 mm)
- Drain hole: 1-11/16" (43 mm)
- Template: 1084867-7, required, included

Notes

- Install this product according to the installation instructions.
- Measure your actual product for roughing-in details.
- ADA compliant when installed to the specific requirements of these regulations.