



**Stinson®**  
Under-mount Bathroom Sink  
**442007-U**

**Features**

- Center drain and overflow.
- Modern rectangular shape.

**Material**

- Crafted of Grade A vitreous china to provide a durable, nonporous product with a glossy finish.

**Installation**

- No faucet holes; requires wall- or counter-mount faucet.

**Recommended Products/Accessories**

- K-23726 Drain treatment
- K-23725 Cast iron cleaner

**Included Components**

- Additional Components:  
1193643 Basin clamps



**ADA**

**Codes/Standards**




- ASME A112.19.2/CSA B45.1
- ADA
- ICC/ANSI A117.1

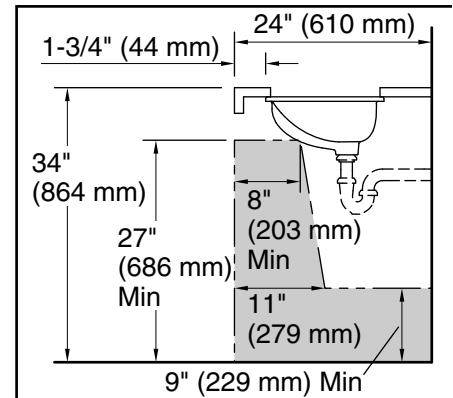
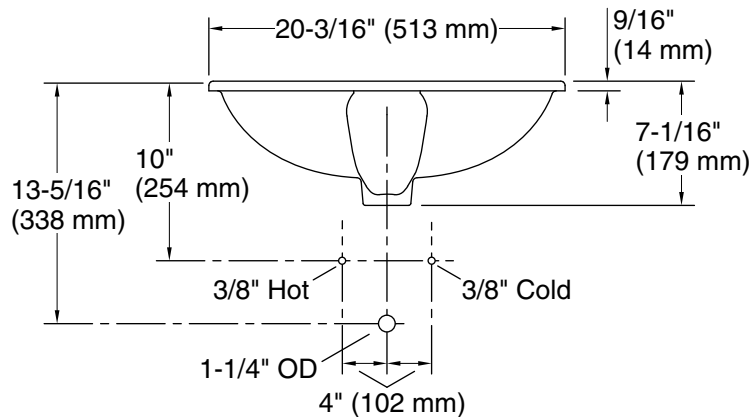
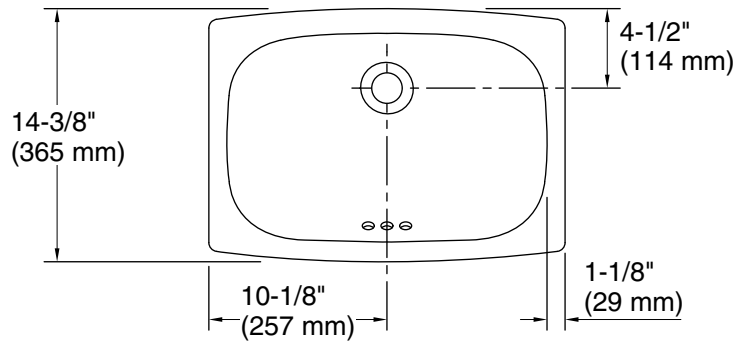
**STERLING® Warranty - Toilets and Lavatories**

See website for detailed warranty information.

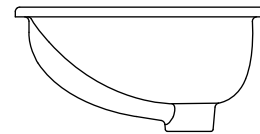
**Available Colors/Finishes**

*Color tiles intended for reference only.*

Color	Code	Description
	0	White
	96	KOHLER Biscuit
	47	Almond



Recommended ADA Installation



**Technical Information**

All product dimensions are nominal.

Bowl configuration: Single

Installation: Under-mount

Bowl area (Only): Length: 18-3/16" (462 mm)  
Width: 12-3/16" (310 mm)  
Water depth: 5" (127 mm)

Drain hole: 1-11/16" (43 mm)

**Notes**

Install this product according to the installation instructions.

Measure your actual product for roughing-in details.

ADA compliant when installed to the specific requirements of these regulations.