



Sanibel™
20" oval drop-in bathroom sink
442001

Features

- Single faucet hole
- Center drain and overflow

Material

- Grade A vitreous china with a hard, glossy finish

Installation

- Drop-in

Recommended Products/Accessories

- K-23726 Drain treatment
- K-23725 Cast iron cleaner



ADA

Codes/Standards

- ASME A112.19.2/CSA B45.1
- ADA
- ICC/ANSI A117.1
- IAPMO Certification


**STERLING® Vitreous China
Bathroom Sinks Five-Year Limited
Warranty**

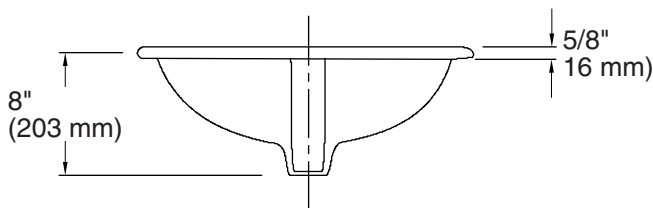
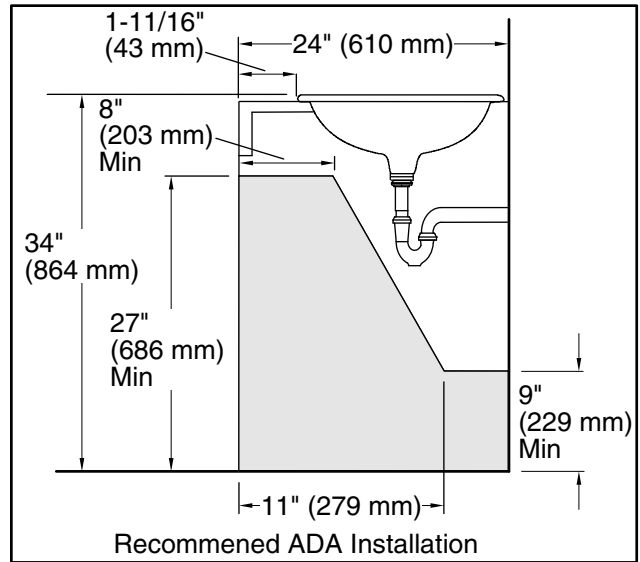
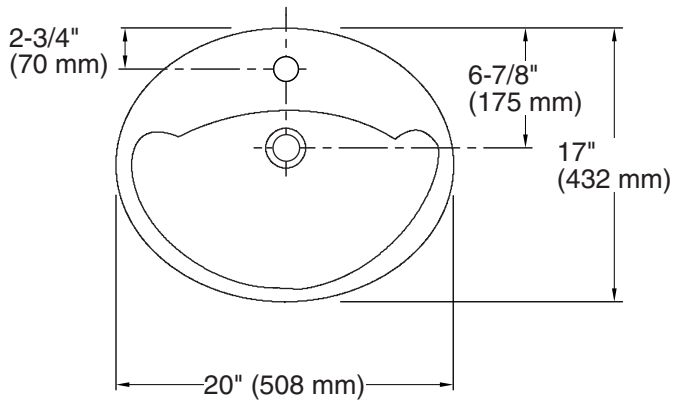
See website for detailed warranty information.

Available Colors/Finishes

Color tiles intended for reference only.

Color Code Description

	0	White
---	---	-------



Technical Information

All product dimensions are nominal.

- Bowl configuration: Single
- Bowl area (Only): Length: 17" (432 mm)
Width: 10-7/8" (276 mm)
Water depth: 4-7/8" (124 mm)
- With overflow: Yes
- Number of deck holes: 1
- Faucet hole(s): 1-3/16" (30 mm)
- Drain hole: 1-3/4" (44 mm)
- Template: 1003767-7, required, included

Notes

- Install this product according to the installation instructions.
- Measure your actual product for roughing-in details.
- ADA compliant when installed to the specific requirements of these regulations.