



# Garwind™

The Complete Solution® elongated toilet  
404715

## Features

- Two-piece toilet.
- Elongated bowl offers added room and comfort
- Comfort Height® seating makes sitting down and standing up easier for most adults.
- 1.28 gallons per flush (gpf).
- Standard left-hand chrome trip lever included.
- 2" fully glazed trapway.
- Complete Solution® toilets provide everything you need in one box, including bowl, tank, seat, wax ring and floor hardware.
- Pro Force® Plus flushing technology delivers greater flushing power than previous Pro Force® models

## Installation

- Standard 12" rough-in.
- Three-bolt quick-connect installation system.
- Supply line not included.

## Recommended Products/Accessories

- K-5588 Purefresh® Deodorizing elongated toilet seat
- K-5420 Low-Profile Bolt Caps
- K-23726 Drain treatment

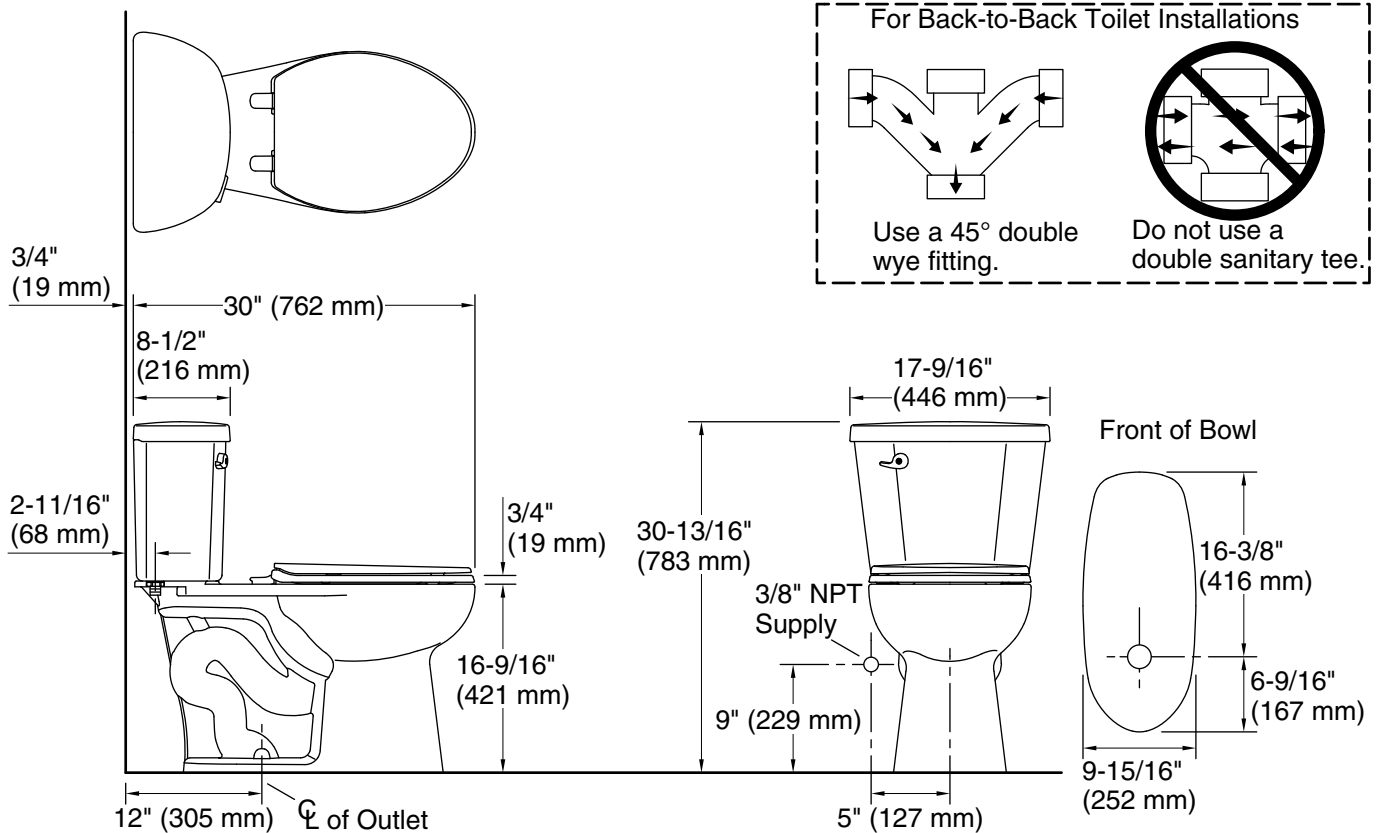


## Codes/Standards

- ASME A112.19.2/CSA B45.1
- DOE - Energy Policy Act 1992
- EPA WaterSense®
- California Energy Commission (CEC)
- ADA
- ICC/ANSI A117.1
- CSA B651
- OBC
- IAPMO Certification

## STERLING® Toilet Limited Warranty

See website for detailed warranty information.



### Technical Information

All product dimensions are nominal.

Toilet type: Floor-mount  
Waste Outlet: Floor  
Bowl shape: Elongated  
Flush type: Gravity siphon jet  
Trap passageway: 2" (51 mm)  
Rough-in: 12" (305 mm)

### Fixture Supply Requirements

Min static pressure: 15 psi (103.4 kPa)  
Max static pressure: 80 psi (551.6 kPa)

### Notes

Install this product according to the installation instructions.

For back-to-back toilet installations: Use only a 45° double wye fitting.

ADA, OBC, CSA B651 compliant when installed to the specific requirements of these regulations.

Plumbing codes may require elongated toilets and elongated, open-front seats in public bathrooms.

Accessibility standards may require controls to be located on the open side of the toilet.