



Valton™ Comfort Height®

Two-piece elongated 1.6 gpf toilet
402416-RA

Features

- Two-piece toilet.
- Elongated bowl offers added room and comfort.
- Comfort Height® feature offers chair-height seating that makes sitting down and standing up easier for most adults.
- 1.6 gallons per flush (gpf).
- Color-matched right-hand white trip lever included.
- 2" (51 mm) fully-glazed trapway.
- Combination consists of the 403379 bowl and 404562-RA tank.

Technology

- Pro Force® Plus flushing technology delivers greater flushing power than previous Pro Force® models.

Installation

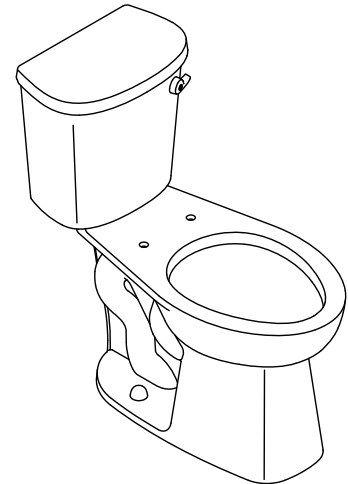
- Standard 12" (305 mm) rough-in.
- Three-bolt installation.
- Seat and supply line sold separately.

Recommended Products/Accessories

- K-20110 Brevia™ Quiet-Close™ Elongated Toilet Seat
- K-4636 Cachet® Quiet-Close™ Elongated Toilet Seat
- K-5420 Low-Profile Bolt Caps
- K-23726 Drain treatment

Included Components

- Product consists of:
- 403379 elongated toilet bowl
 - 404562-RA Toilet tank



ADA CSA B651 OBC

Codes/Standards

ASME A112.19.2/CSA B45.1
DOE - Energy Policy Act 1992
ADA
ICC/ANSI A117.1
CSA B651
OBC

STERLING® Warranty - Toilets and Lavatories

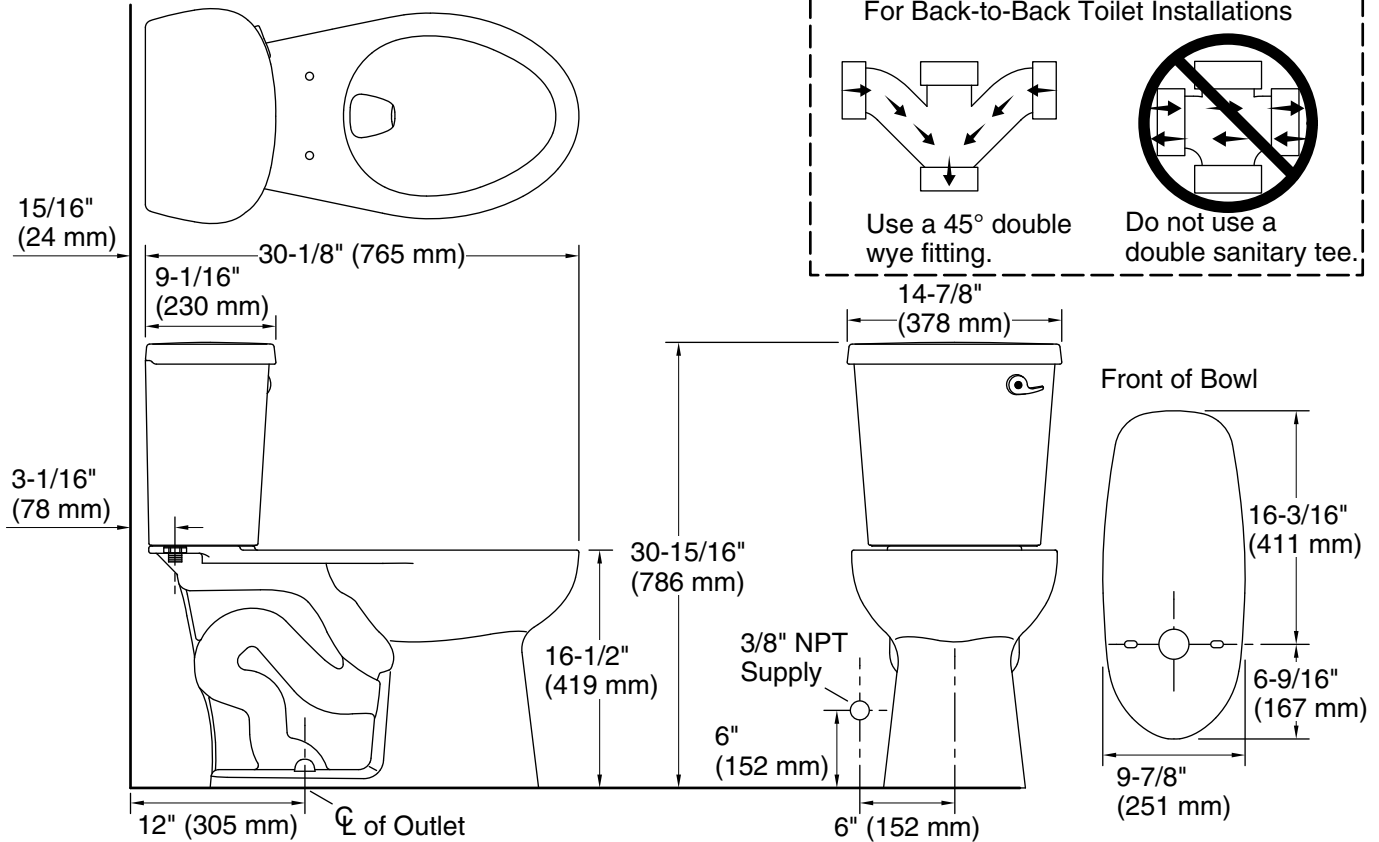
See website for detailed warranty information.

Available Colors/Finishes

Color tiles intended for reference only.

Color Code Description

■ 0 White



Technical Information

All product dimensions are nominal.

- Toilet type: Two-piece, Floor-mount
- Waste Outlet: Floor
- Bowl shape: Elongated
- Flush type: Gravity siphon jet
- Water Consumption
 - Full: 1.6 gpf (6 lpf)
- Rough-in: 12" (305 mm)

Fixture Supply Requirements

- Min static pressure: 15 psi (103.4 kPa)
- Max static pressure: 80 psi (551.6 kPa)

Notes

- Install this product according to the installation instructions.
- For back-to-back toilet installations: Use only a 45° double wye fitting.
- ADA, OBC, CSA B651 compliant when installed to the specific requirements of these regulations.
- Plumbing codes may require elongated toilets and elongated, open-front seats in public bathrooms.
- Accessibility standards may require controls to be located on the open side of the toilet.