

Features

- Two-piece installation
- 12" rough-in
- Elongated bowl
- Luxury Height
- 1.6 gallons per flush
- Pro Force flushing technology
- Three-bolt quick-connect installation system
- Limited 5-year warranty

Recommended Products/Accessories

K-20466 Stonewood® Quiet-Close™ Elongated Toilet Seat
K-20454 Ridgewood® Quiet-Close™ Elongated Toilet Seat
K-5420 Low-Profile Bolt Caps

Included Components

Product consists of:

403370 Luxury Height® Elongated Bowl
402071-RA Toilet Tank

Additional Components:

Bolt caps (pair)
Tank cover
tank hardware accessory pack
trip lever



ADA

CSA B651

OBC

Codes/Standards

ASME A112.19.2/CSA B45.1
DOE - Energy Policy Act 1992
ADA
ICC/ANSI A117.1
CSA B651
OBC

STERLING® Warranty - Toilets and Lavatories

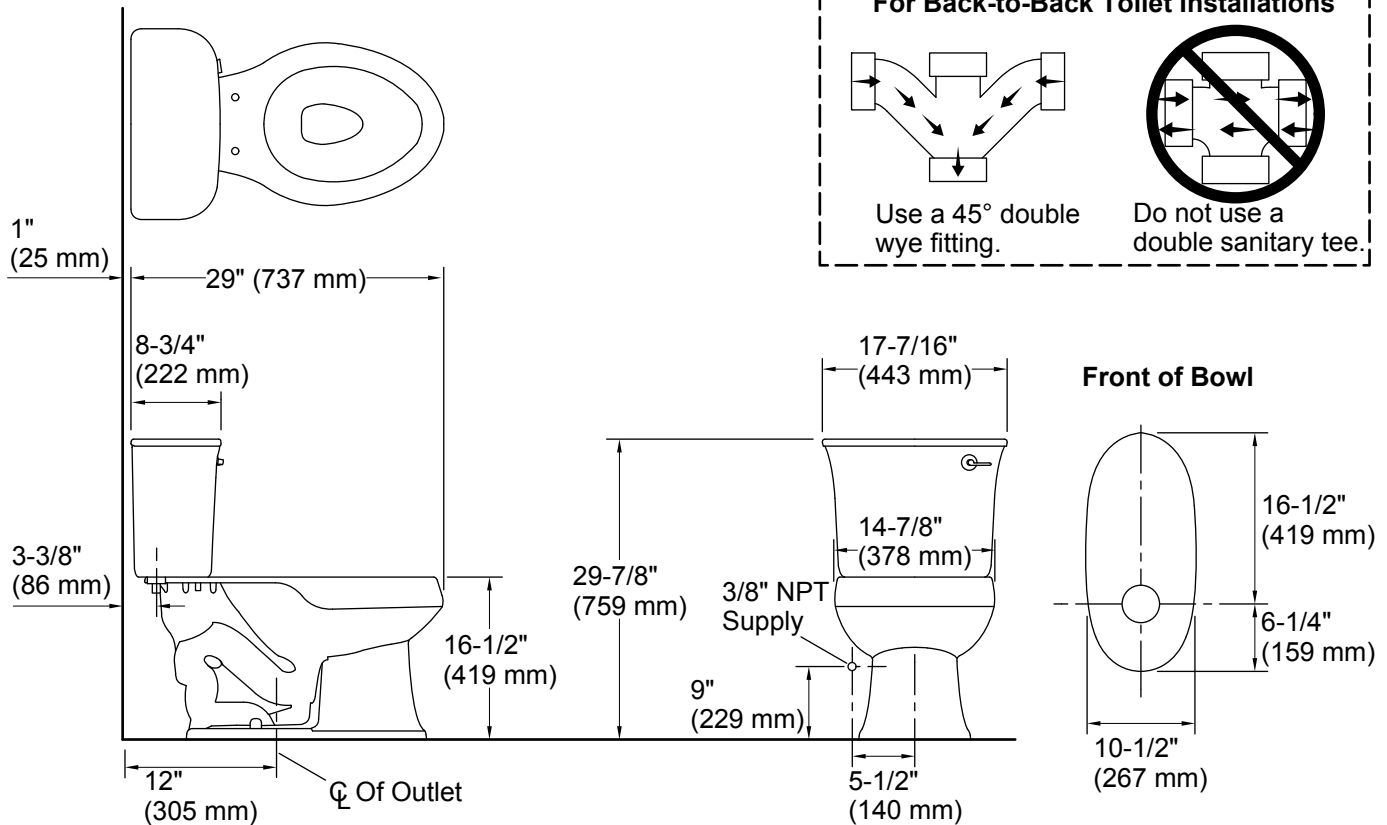
See website for detailed warranty information.

Available Colors/Finishes

Color tiles intended for reference only.

Color Code Description

■ 0 White



Technical Information

All product dimensions are nominal.

Toilet type: Two-piece, Floor-mount
Waste Outlet: Floor
Bowl shape: Elongated
Flush type: Gravity siphon rim jet
Trap passageway: 2" (51 mm)
Water Consumption
Full: 1.6 gpf (6 lpf)
Water surface size: 8" x 9" (203 mm x 229 mm)
Rough-in: 12" (305 mm)
Seat-mounting holes: 5-1/2" (140 mm)

Notes

Install this product according to the installation instructions.
Measure your actual product for roughing-in details.
ADA, OBC, CSA B651 compliant when installed to the specific requirements of these regulations.
Plumbing codes may require elongated toilets and elongated, open-front seats in public bathrooms.
Accessibility standards may require controls to be located on the open side of the toilet.