



Windham™

Two-piece elongated 1.28 gpf chair height toilet
402369

Features

- Two-piece design
- Elongated bowl offers added room and comfort
- Comfort Height® feature offers chair-height seating that makes sitting down and standing up easier for most adults
- 1.28 gpf (4.8 lpf)
- 2-1/8" (54 mm) fully glazed trapway
- Pro Force® Plus flushing technology delivers greater flushing power than previous Pro Force® models

Installation

- Three-bolt quick-connect installation
- 14" (356 mm) rough-in
- Seat and supply line sold separately

Recommended Products/Accessories

K-20110 Brevia™ Quiet-Close™ elongated toilet seat
K-5420 Low-Profile Bolt Caps

Included Components

402365 1.28 gpf toilet tank
403317 Elongated chair height toilet bowl



Codes/Standards

ASME A112.19.2/CSA B45.1
DOE - Energy Policy Act 1992
EPA WaterSense®
California Energy Commission (CEC)
ADA
ICC/ANSI A117.1
CSA B651
OBC
IAPMO Certification

STERLING® Toilet Limited Warranty

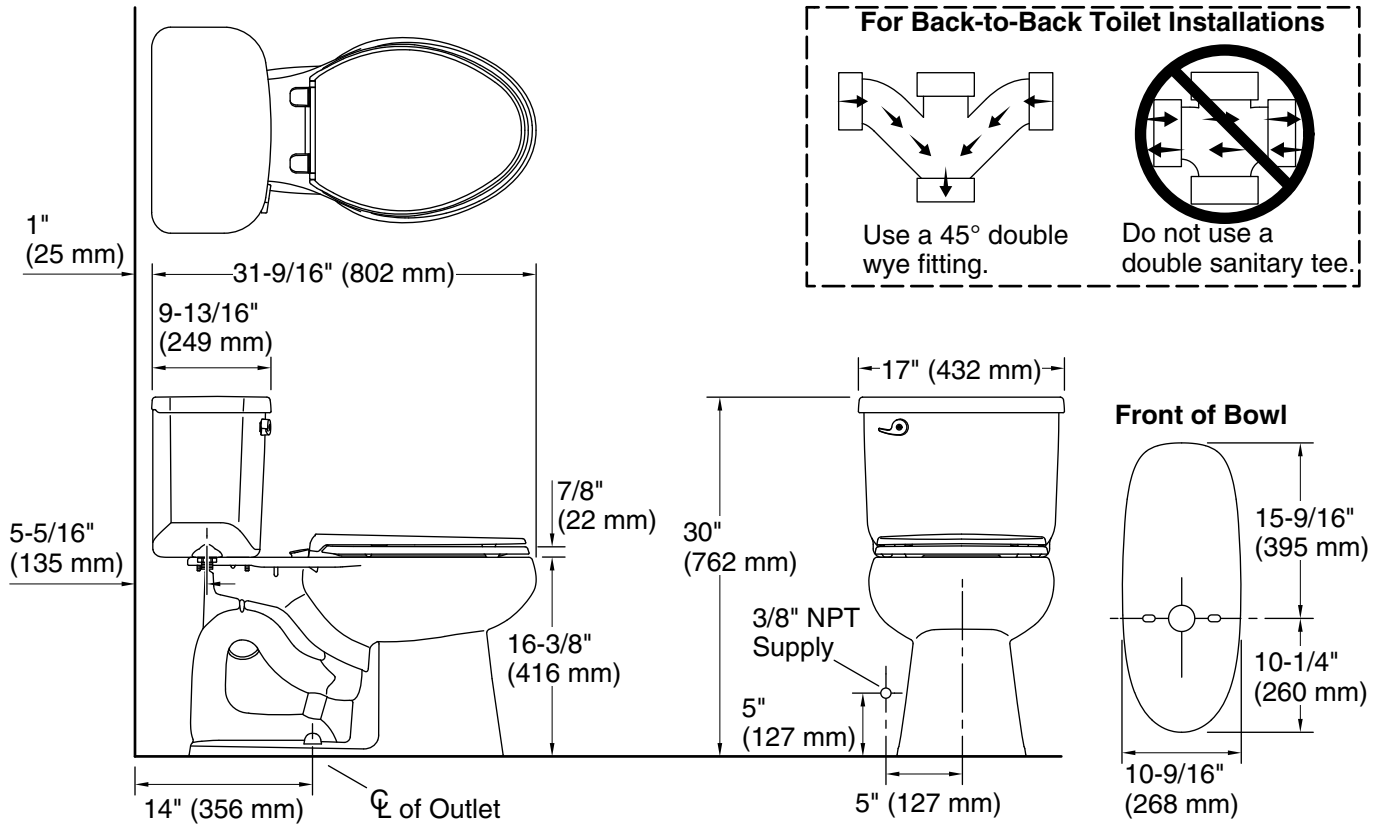
See website for detailed warranty information.

Available Colors/Finishes

Color tiles intended for reference only.

Color	Code	Description
-------	------	-------------

	0	White
---	---	-------



Technical Information

All product dimensions are nominal.

- Toilet type: Floor-mount
- Waste Outlet: Floor
- Bowl shape: Elongated
- Flush type: Gravity siphon jet
- Trap passageway: 2-1/8" (54 mm)
- Rim to water surface: 6-3/16" (157 mm)
- Rough-in: 14" (356 mm)

Notes

- Install this product according to the installation instructions.
- For back-to-back toilet installations: Use only a 45° double wye fitting.
- ADA, OBC, CSA B651 compliant when installed to the specific requirements of these regulations.
- Plumbing codes may require elongated toilets and elongated, open-front seats in public bathrooms.
- Accessibility standards may require controls to be located on the open side of the toilet.