



**Windham™**

Two-piece elongated 1.6 gpf chair height toilet  
**402325-RA**

**Features**

- Two-piece design
- Elongated bowl offers added room and comfort
- Comfort Height® feature offers chair-height seating that makes sitting down and standing up easier for most adults
- 1.6 gpf (6.0 lpf)
- Right-hand Polished Chrome trip lever
- 2-1/8" (54 mm) fully glazed trapway
- Combination consists of 403317 bowl and 402363-RA tank
- Pro Force® Plus flushing technology delivers greater flushing power than previous Pro Force® models



**Installation**

- Three-bolt quick-connect installation
- Standard 12" (305 mm) rough-in
- Seat and supply line sold separately

**Recommended Products/Accessories**

- K-20110 Brevia™ Quiet-Close™ elongated toilet seat
- K-9466-R Right-Hand Trip Lever
- K-5420 Low-Profile Bolt Caps
- K-23726 Drain treatment

**Included Components**

- 403317 Elongated chair height toilet bowl
- 402363-RA Toilet tank

<b>ADA</b>	<b>CSA B651</b>	<b>OBC</b>
------------	-----------------	------------

**Codes/Standards**

- ASME A112.19.2/CSA B45.1
- DOE - Energy Policy Act 1992
- ADA
- ICC/ANSI A117.1
- CSA B651
- OBC
- IAPMO Certification


**STERLING® Toilet Limited Warranty**

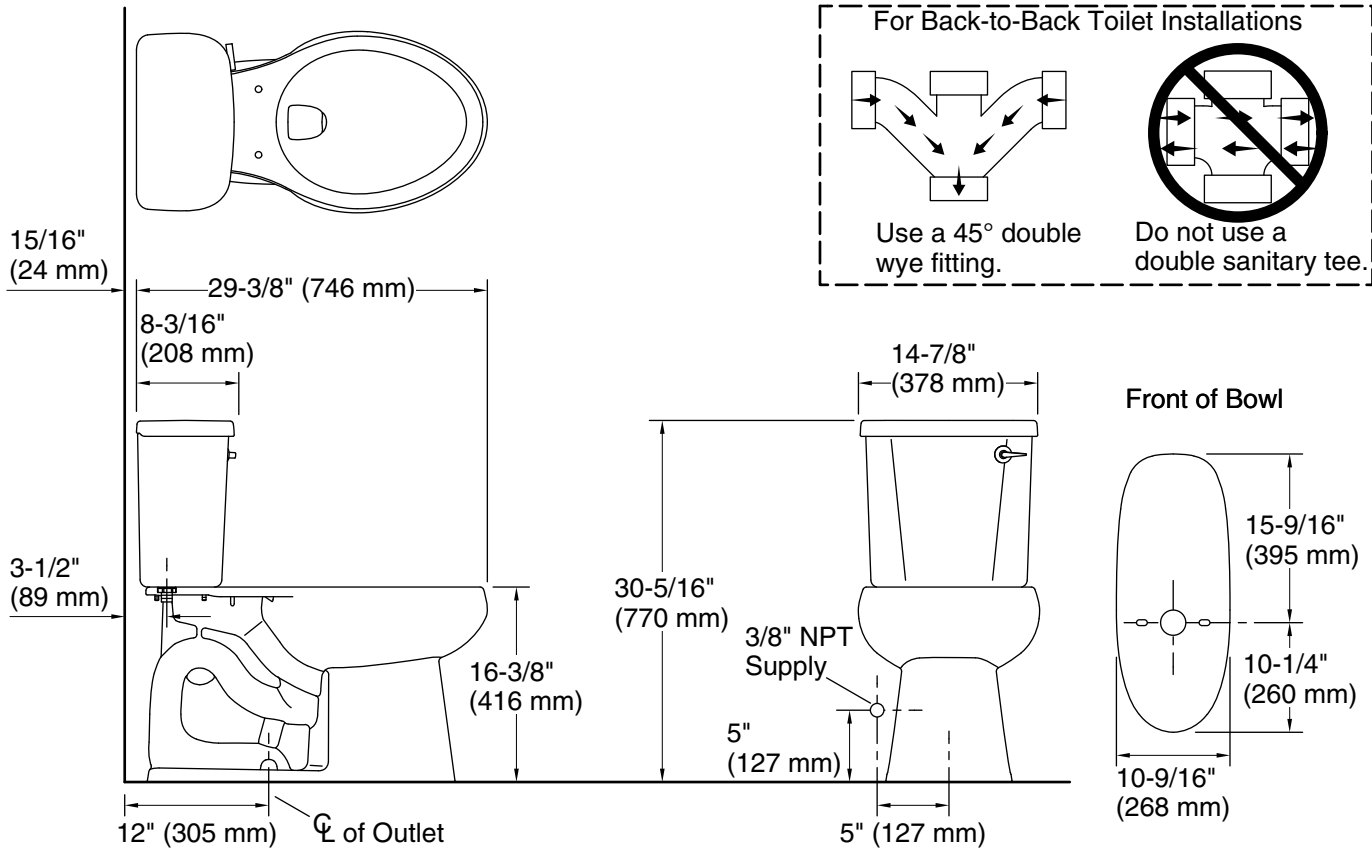
See website for detailed warranty information.

**Available Colors/Finishes**

*Color tiles intended for reference only.*

**Color Code Description**

	0	White
---	---	-------



**Technical Information**

All product dimensions are nominal.

- Toilet type: Floor-mount
- Waste Outlet: Floor
- Bowl shape: Elongated
- Flush type: Gravity siphon jet
- Trap passageway: 2-1/8" (54 mm)
- Rough-in: 12" (305 mm)

**Notes**

- Install this product according to the installation instructions.
- For back-to-back toilet installations: Use only a 45° double wye fitting.
- ADA, OBC, CSA B651 compliant when installed to the specific requirements of these regulations.
- Plumbing codes may require elongated toilets and elongated, open-front seats in public bathrooms.
- Accessibility standards may require controls to be located on the open side of the toilet.