



Windham™

Round-front toilet bowl

402320

Features

- Two-piece toilet.
- Round-front bowl offers an ideal solution for smaller baths and powder rooms.
- Standard height.
- 1.28 gpf (4.8 lpf).
- 2-1/8" (54 mm) fully-glazed trapway.

Technology

- Pro Force® Plus flushing technology delivers greater flushing power than previous Pro Force® models.

Installation

- Three-bolt quick-connect installation.
- Standard 12" (305 mm) rough-in.
- Seat and supply line sold separately.

Recommended Products/Accessories

K-20111 Brevia™ Quiet-Close™ Round-Front Toilet Seat

K-4639 Cachet® Quiet-Close™ Round-Front Toilet Seat

K-9466-L Left-Hand Trip Lever

K-5420 Low-Profile Bolt Caps

K-23726 Drain treatment

Included Components

Product consists of:

403017 Round-front toilet bowl

402362 Toilet tank

Additional Components:

Bolt caps (pair)

Left-hand Polished Chrome trip lever

Tank cover

Tank hardware accessory pack



Codes/Standards

ASME A112.19.2/CSA B45.1

DOE - Energy Policy Act 1992

EPA WaterSense®



California Energy Commission (CEC)

STERLING® Warranty - Toilets and Lavatories

See website for detailed warranty information.

Available Colors/Finishes

Color tiles intended for reference only.

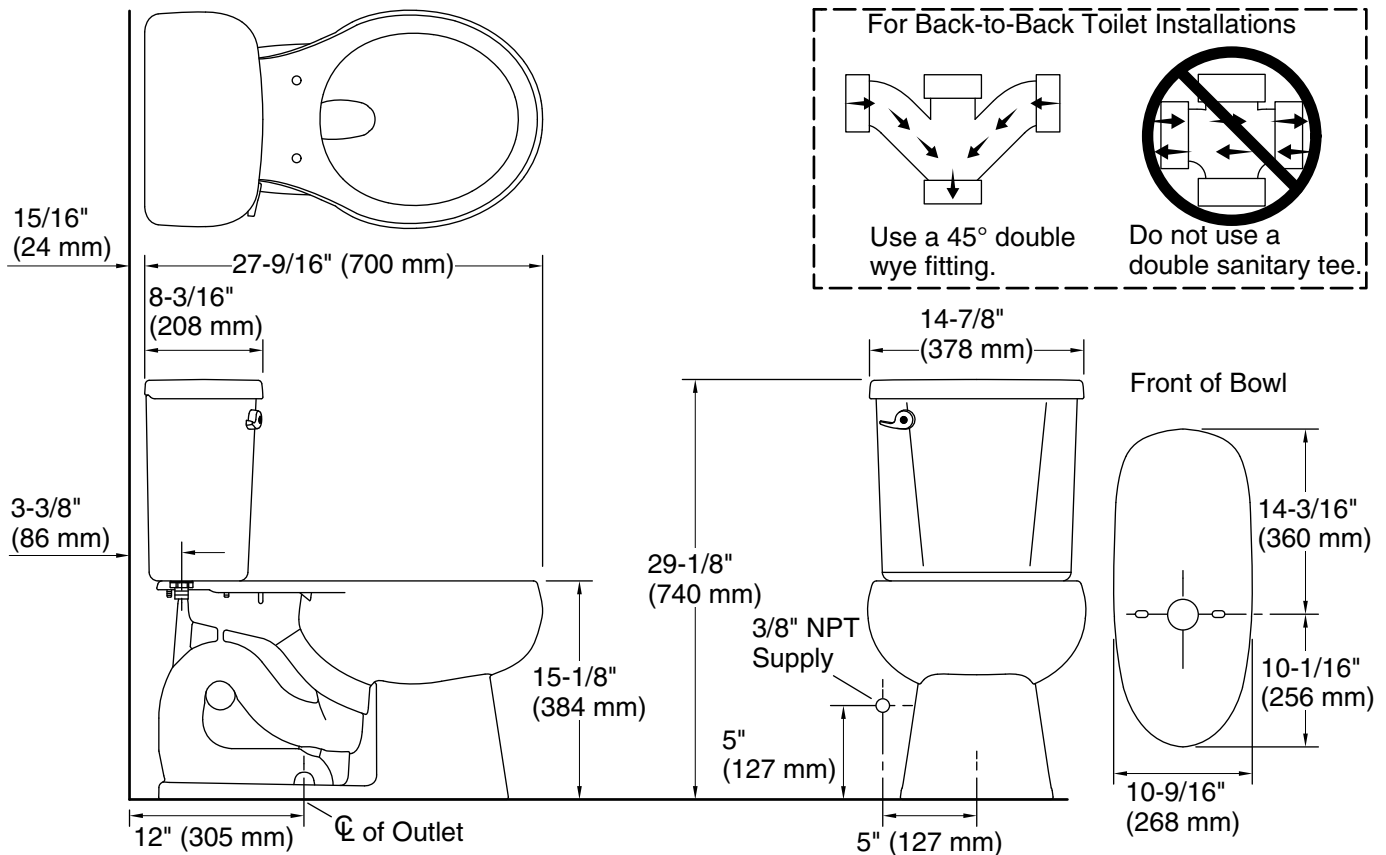
Color	Code	Description
	0	White
	96	KOHLER Biscuit

1-800-STERLING (1-800-783-7546)

Kohler Co. reserves the right to make revisions without notice to product specifications.

For the most current Specification Sheet, go to www.sterlingplumbing.com.

4-8-2020 07:04 - US



Technical Information

All product dimensions are nominal.

Toilet type:	Two-piece, Floor-mount
Waste Outlet:	Floor
Bowl shape:	Round-front
Flush type:	Flush Valve
Trap passageway:	2-1/8" (54 mm)
Water Consumption	
Full:	1.28 gpf (4.8 lpf)
Water surface size:	10" x 8" (254 mm x 203 mm)
Rim to water surface:	6-3/16" (157 mm)
Rough-in:	12" (305 mm)

Notes

Install this product according to the installation instructions.

For back-to-back toilet installations: Use only a 45° double wye fitting.