

Features

- Two-piece design
- Elongated bowl offers added room and comfort
- Top-mount dual-flush actuator offers a choice of 1.0 or 1.28 gpf (3.8 or 4.8 lpf)
- 2" (51 mm) fully glazed trapway
- Combination consists of the 403378 bowl and 404553 tank
- Dual-flush technology allows you to choose between a full or partial flush
- Pro Force® Plus flushing technology delivers greater flushing power than previous Pro Force® models

Installation

- Standard 12" (305 mm) rough-in
- Three-bolt quick-connect installation
- Seat and supply line sold separately

Recommended Products/Accessories

- K-20110 Brevia™ Quiet-Close™ elongated toilet seat
- K-5420 Low-Profile Bolt Caps
- K-23726 Drain treatment
- K-186 Dual Flush Actuator

Included Components

- 403378 Elongated toilet bowl
- 404553 Toilet tank



Codes/Standards

- ASME A112.19.2/CSA B45.1
- ASME A112.19.14
- DOE - Energy Policy Act 1992
- EPA WaterSense®
- California Energy Commission (CEC)
- IAPMO Certification

STERLING® Toilet Limited Warranty

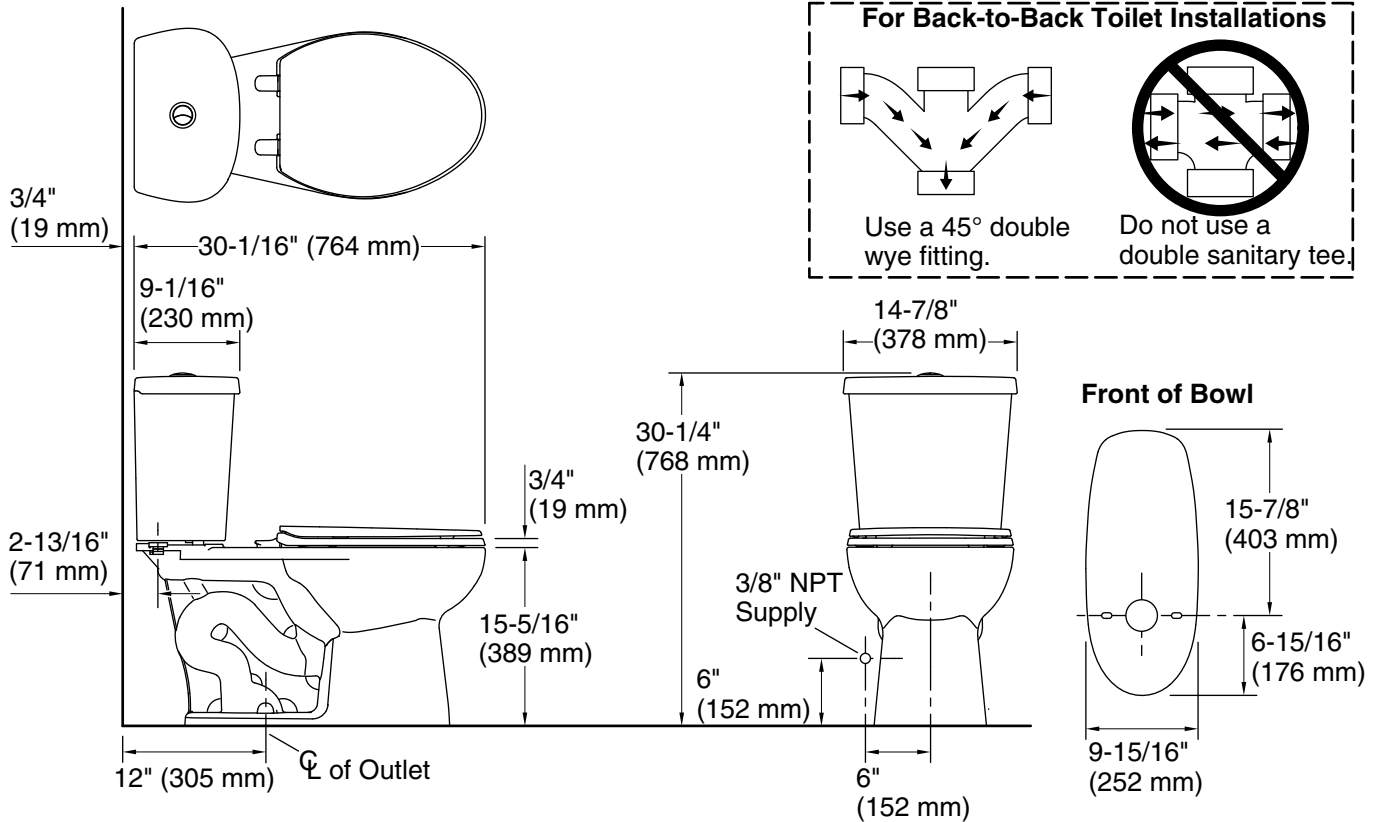
See website for detailed warranty information.

Available Colors/Finishes

Color tiles intended for reference only.

Color	Code	Description
-------	------	-------------

	0	White
---	---	-------



Technical Information

All product dimensions are nominal.

- Toilet type: Floor-mount
- Waste Outlet: Floor
- Bowl shape: Elongated
- Flush type: Gravity siphon jet
- Trap passageway: 2" (51 mm)
- Rim to water surface: 5" (127 mm)
- Rough-in: 12" (305 mm)

Fixture Supply Requirements

- Min static pressure: 15 psi (103.4 kPa)
- Max static pressure: 80 psi (551.6 kPa)

Notes

- Install this product according to the installation instructions.
- For back-to-back toilet installations: Use only a 45° double wye fitting.