



Valton®

Two-piece round-front dual-flush toilet 402317

Features

- Two-piece design.
- Round-front bowl offers an ideal solution for smaller bathrooms and powder rooms.
- Top-mount dual-flush actuator offers a choice of 1.0 or 1.28 gpf (3.8 or 4.8 lpf).
- 2" (51 mm) fully glazed trapway.
- Combination consists of the 403377 bowl and 404553 tank.

Technology

- Dual-flush technology allows you to choose between a full or partial flush.
- Pro Force® Plus flushing technology delivers greater flushing power than previous Pro Force® models.

Installation

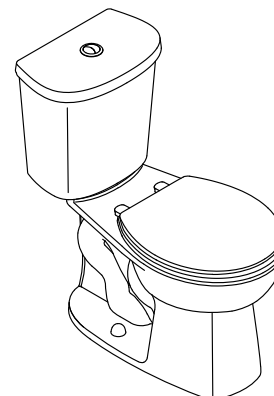
- Standard 12" (305 mm) rough-in.
- Three-bolt quick-connect installation.
- Seat and supply line sold separately.

Recommended Products/Accessories

- K-20111 Brevia™ Quiet-Close™ Round-Front Toilet Seat
- K-5589 Purefresh® Round-Front Toilet Seat
- K-5420 Low-Profile Bolt Caps
- K-23726 Drain treatment
- K-186 Dual Flush Actuator

Included Components

- Product consists of:
- 403377 Round-front toilet bowl
 - 404553 Toilet tank



Codes/Standards

- ASME A112.19.2/CSA B45.1
- ASME A112.19.14
- DOE - Energy Policy Act 1992
- EPA WaterSense®
- California Energy Commission (CEC)


STERLING® Toilets and Toilet Seats Limited Warranty

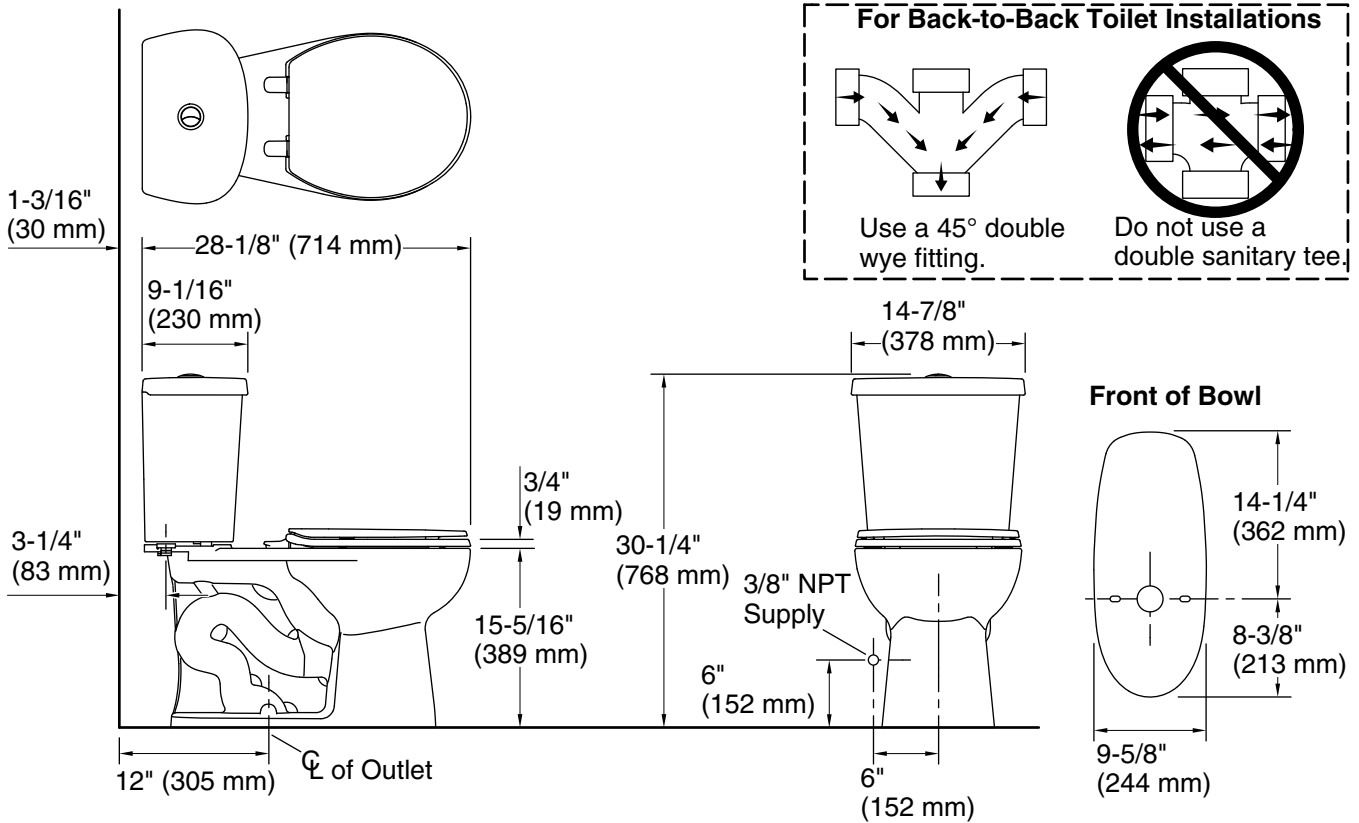
See website for detailed warranty information.

Available Colors/Finishes

Color tiles intended for reference only.

Color	Code	Description
-------	------	-------------

	0	White
---	---	-------



Technical Information

All product dimensions are nominal.

Toilet type:	Two-piece, Floor-mount
Waste Outlet:	Floor
Bowl shape:	Round-front
Trap passageway:	2" (51 mm)
Water Consumption	
Full:	1.28 gpf (4.8 lpf)
Reduced:	0.9 gpf (3.5 lpf)
Rim to water surface:	5" (127 mm)
Rough-in:	12" (305 mm)

Notes

Install this product according to the installation instructions.

For back-to-back toilet installations: Use only a 45° double wye fitting.