



Windham™ Comfort Height®

Pro Force® Elongated Toilet
402315-RA

Features

- Two-piece design.
- Elongated bowl.
- Comfort Height® elongated bowl.
- 1.6 gpf (6.0 lpf)
- Pro Force flushing technology.

Installation

- Standard 12" (305 mm) rough-in.
- Three-bolt quick-connect installation.

Recommended Products/Accessories

- K-4636 Cachet® Quiet-Close™ Elongated Toilet Seat
- K-5588 Purefresh® Elongated Toilet Seat
- K-4108 C³®-230 Elongated cleansing toilet seat
- K-5420 Low-Profile Bolt Caps
- K-23726 Drain treatment
- K-23724 Toilet cleaner & disinfectant
- K-23734 Toilet bowl cleaner & disinfectant

Included Components

Product consists of:

- 403315 Elongated toilet bowl
- 404515-RA Toilet tank

Additional Components:

- Bolt caps (pair)
- Tank cover
- tank hardware accessory pack
- trip lever



ADA

CSA B651

OBC

Codes/Standards

ASME A112.19.2/CSA B45.1
DOE - Energy Policy Act 1992
ADA
ICC/ANSI A117.1
CSA B651
OBC

STERLING® Warranty - Toilets and Lavatories

See website for detailed warranty information.

Available Colors/Finishes

Color tiles intended for reference only.

Color Code Description

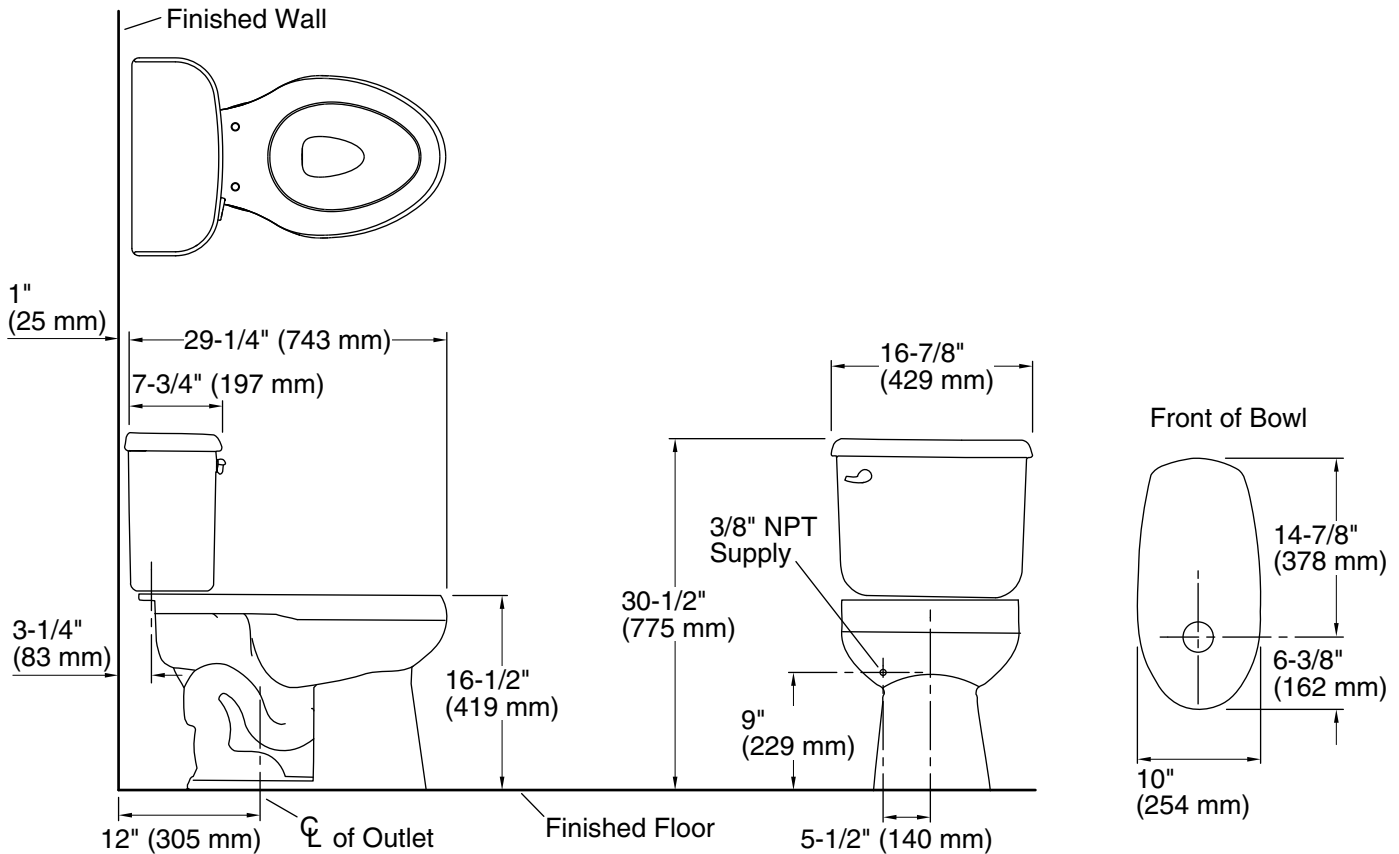
■ 0 White

1-800-STERLING (1-800-783-7546)

Kohler Co. reserves the right to make revisions without notice to product specifications.

For the most current Specification Sheet, go to www.sterlingplumbing.com.

8-22-2020 08:05 - US



Technical Information

All product dimensions are nominal.

Toilet type: Two-piece, Floor-mount
Waste Outlet: Floor
Bowl shape: Elongated
Flush type: Gravity siphon rim jet
Trap passageway: 2" (51 mm)
Water Consumption
 Full: 1.6 gpf (6 lpf)
Water surface size: 8" x 9" (203 mm x 229 mm)
Rough-in: 12" (305 mm)
Seat-mounting holes: 5-1/2" (140 mm)

Notes

Install this product according to the installation instructions.
Measure your actual product for roughing-in details.
ADA, OBC, CSA B651 compliant when installed to the specific requirements of these regulations.
Plumbing codes may require elongated toilets and elongated, open-front seats in public bathrooms.
Accessibility standards may require controls to be located on the open side of the toilet.