



# Valton™

## Two-piece round-front toilet 402311-RA

### Features

- Two-piece toilet.
- Round-front bowl offers an ideal solution for smaller baths and powder rooms.
- 1.28 gpf (4.8 lpf).
- Color-matched right-hand white trip lever included.
- 2" (51 mm) fully-glazed trapway.
- Combination consists of the 403377 bowl and 404501-RA tank.

### Technology

- Pro Force® Plus flushing technology delivers greater flushing power than previous Pro Force® models.

### Installation

- Standard 12" (305 mm) rough-in.
- Three-bolt installation.
- Seat and supply line sold separately.

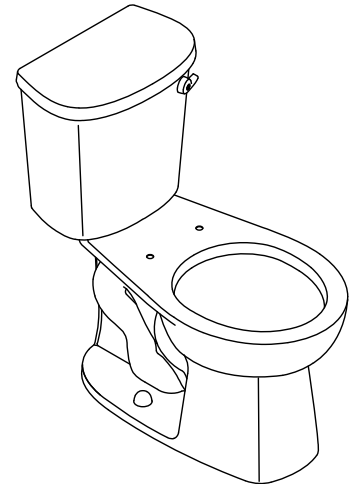
### Recommended Products/Accessories

- K-20111 Brevia™ Quiet-Close™ Round-Front Toilet Seat
- K-4639 Cachet® Quiet-Close™ Round-Front Toilet Seat
- K-5420 Low-Profile Bolt Caps
- K-23726 Drain treatment

### Included Components

Product consists of:

- 403377 Round-front toilet bowl
- 404501-RA Toilet tank



### Codes/Standards

- ASME A112.19.2/CSA B45.1
- DOE - Energy Policy Act 1992
- EPA WaterSense®
- California Energy Commission (CEC)

### STERLING® Warranty - Toilets and Lavatories

See website for detailed warranty information.

### Available Colors/Finishes

*Color tiles intended for reference only.*

#### Color Code Description

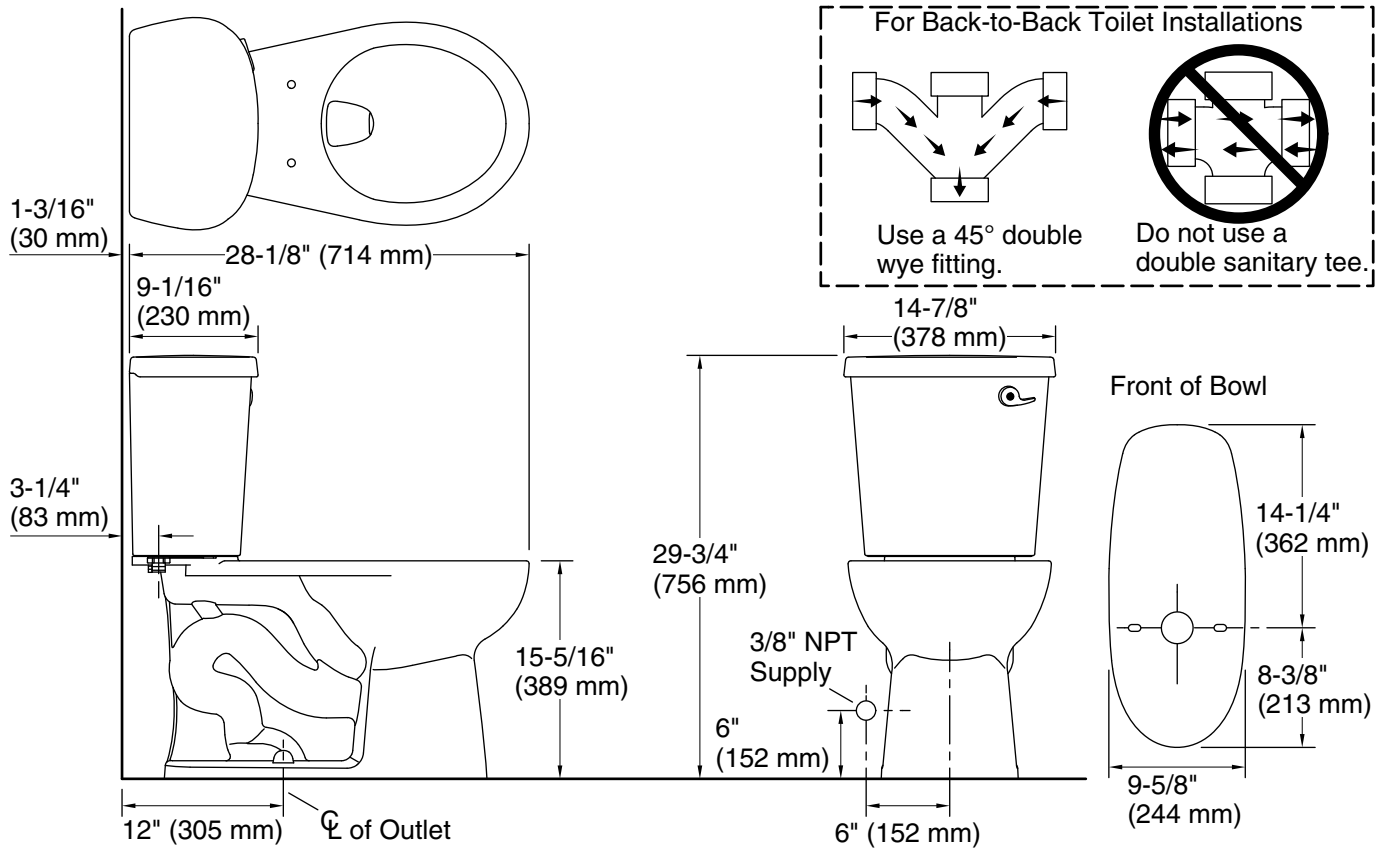
	0	White
--	---	-------

1-800-STERLING (1-800-783-7546)

Kohler Co. reserves the right to make revisions without notice to product specifications.

For the most current Specification Sheet, go to [www.sterlingplumbing.com](http://www.sterlingplumbing.com).

4-8-2020 07:03 - US/CA



**Technical Information**

All product dimensions are nominal.

- Toilet type: Two-piece, Floor-mount
- Waste Outlet: Floor
- Bowl shape: Round-front
- Flush type: Gravity siphon jet
- Water Consumption
  - Full: 1.28 gpf (4.8 lpf)
- Rough-in: 12" (305 mm)

**Fixture Supply Requirements**

- Min static pressure: 15 psi (103.4 kPa)
- Max static pressure: 80 psi (551.6 kPa)

**Notes**

- Install this product according to the installation instructions.
- For back-to-back toilet installations: Use only a 45° double wye fitting.