



Windham™

Elongated toilet bowl
402210

Features

- Two-piece design.
- Elongated bowl.
- 1.6 gpf (6.0 lpf)
- Pro Force flushing technology.

Installation

- 10" (254 mm) rough-in.
- Three-bolt quick-connect installation.

Recommended Products/Accessories

- K-4636 Cachet® Quiet-Close™ Elongated Toilet Seat
- K-5588 Purefresh® Elongated Toilet Seat
- K-4108 C³®-230 Elongated cleansing toilet seat
- K-5420 Low-Profile Bolt Caps
- K-23726 Drain treatment
- K-23724 Toilet cleaner & disinfectant
- K-23734 Toilet bowl cleaner & disinfectant

Included Components

Product consists of:

- 404515 Toilet tank
- 404210 Elongated toilet bowl

Additional Components:

- Bolt caps (pair)
- Tank cover
- tank hardware accessory pack
- trip lever



Codes/Standards



ASME A112.19.2/CSA B45.1
DOE - Energy Policy Act 1992

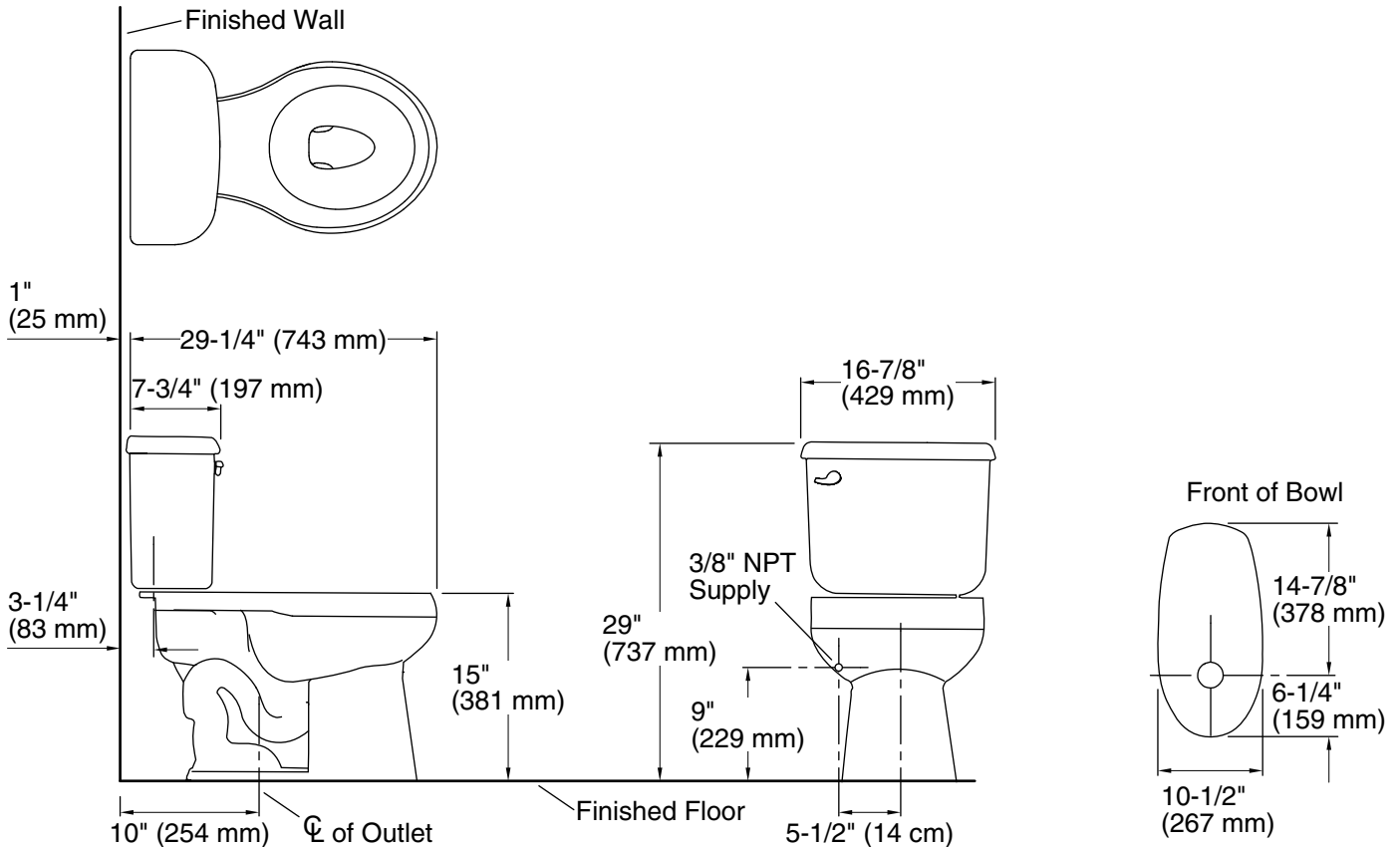
STERLING® Warranty - Toilets and Lavatories

See website for detailed warranty information.

Available Colors/Finishes

Color tiles intended for reference only.

Color	Code	Description
	0	White
	96	KOHLER Biscuit



Technical Information

All product dimensions are nominal.

- Toilet type: Two-piece, Floor-mount
- Waste Outlet: Floor
- Bowl shape: Elongated
- Flush type: Gravity siphon rim jet
- Trap passageway: 2" (51 mm)
- Water Consumption
 - Full: 1.6 gpf (6 lpf)
- Water surface size: 8" x 9" (203 mm x 229 mm)
- Rough-in: 10" (254 mm)
- Seat-mounting holes: 5-1/2" (140 mm)

Notes

- Install this product according to the installation instructions.
- Measure your actual product for roughing-in details.