

Features

- Two-piece design
- Round-front bowl
- 1.28 gpf (4.8 lpf)
- Pro Force® flushing technology

Installation

- Three-bolt quick-connect installation

Recommended Products/Accessories

K-5589 Purefresh® Deodorizing round-front toilet seat
K-76923 PureWash® M250 Quiet-Close™ round-front toilet seat with antimicrobial agent
K-5420 Low-Profile Bolt Caps
K-23726 Drain treatment



DISCONTINUED This product has been discontinued.

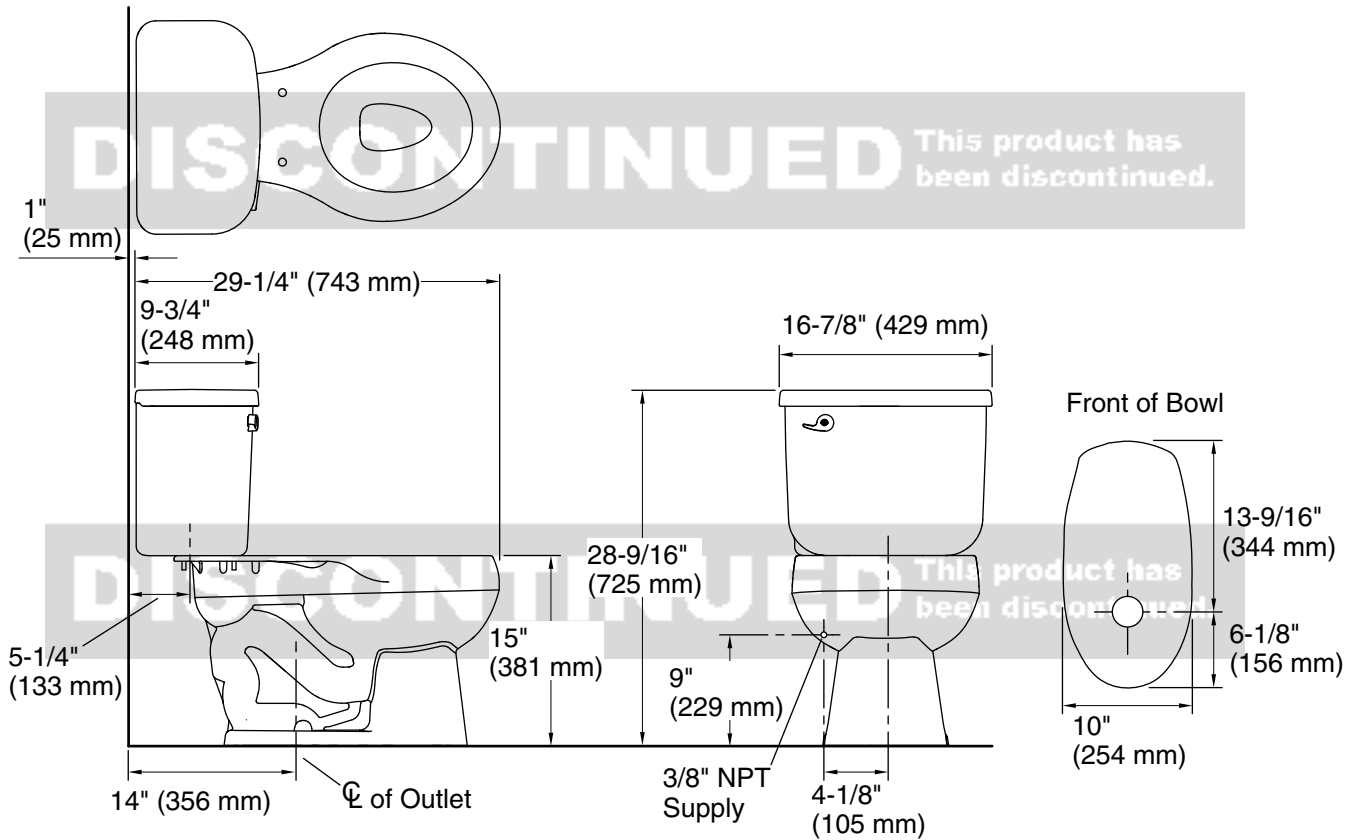
Codes/Standards

ASME A112.19.2/CSA B45.1
DOE - Energy Policy Act 1992
EPA WaterSense®
California Energy Commission (CEC)
IAPMO Certification

STERLING® Toilet Limited Warranty

See website for detailed warranty information.

DISCONTINUED This product has been discontinued.



Technical Information

All product dimensions are nominal.

- Toilet type: Floor-mount
- Waste Outlet: Floor
- Bowl shape: Round-front
- Flush type: Gravity siphon rim jet
- Trap passageway: 2" (51 mm)
- Water surface size: 8" x 9" (203 mm x 229 mm)
- Rough-in: 14" (356 mm)
- Seat-mounting holes: 5-1/2" (140 mm)

Notes

Install this product according to the installation instructions.

Measure your actual product for roughing-in details.