



A KOHLER COMPANY

Rockton®

Elongated toilet bowl

402027

Features

- Two-piece design.
- Elongated bowl.
- Choice of 0.8 gallon flush for liquid or light waste and 1.6 gallon flush for bulk or solid waste.
- Dual Force flushing technology.
- LEED-compliant.

Installation

- Standard 12" (305 mm) rough-in.

Recommended Products/Accessories

- K-4636 Cachet® Quiet-Close™ Elongated Toilet Seat
- K-5588 Purefresh® Elongated Toilet Seat
- K-4108 C³®-230 Elongated cleansing toilet seat
- K-5420 Low-Profile Bolt Caps
- K-23726 Drain treatment
- K-23724 Toilet cleaner & disinfectant
- K-23734 Toilet bowl cleaner & disinfectant

Included Components

Product consists of:

- 402026 Elongated toilet bowl
- 402022 Toilet tank

Additional Components:

- Bolt caps (pair)
- Tank cover
- tank hardware accessory pack
- trip lever



Codes/Standards

- ASME A112.19.2/CSA B45.1
- DOE - Energy Policy Act 1992
- EPA WaterSense®


STERLING® Warranty - Toilets and Lavatories

See website for detailed warranty information.

Available Colors/Finishes

Color tiles intended for reference only.

Color Code Description

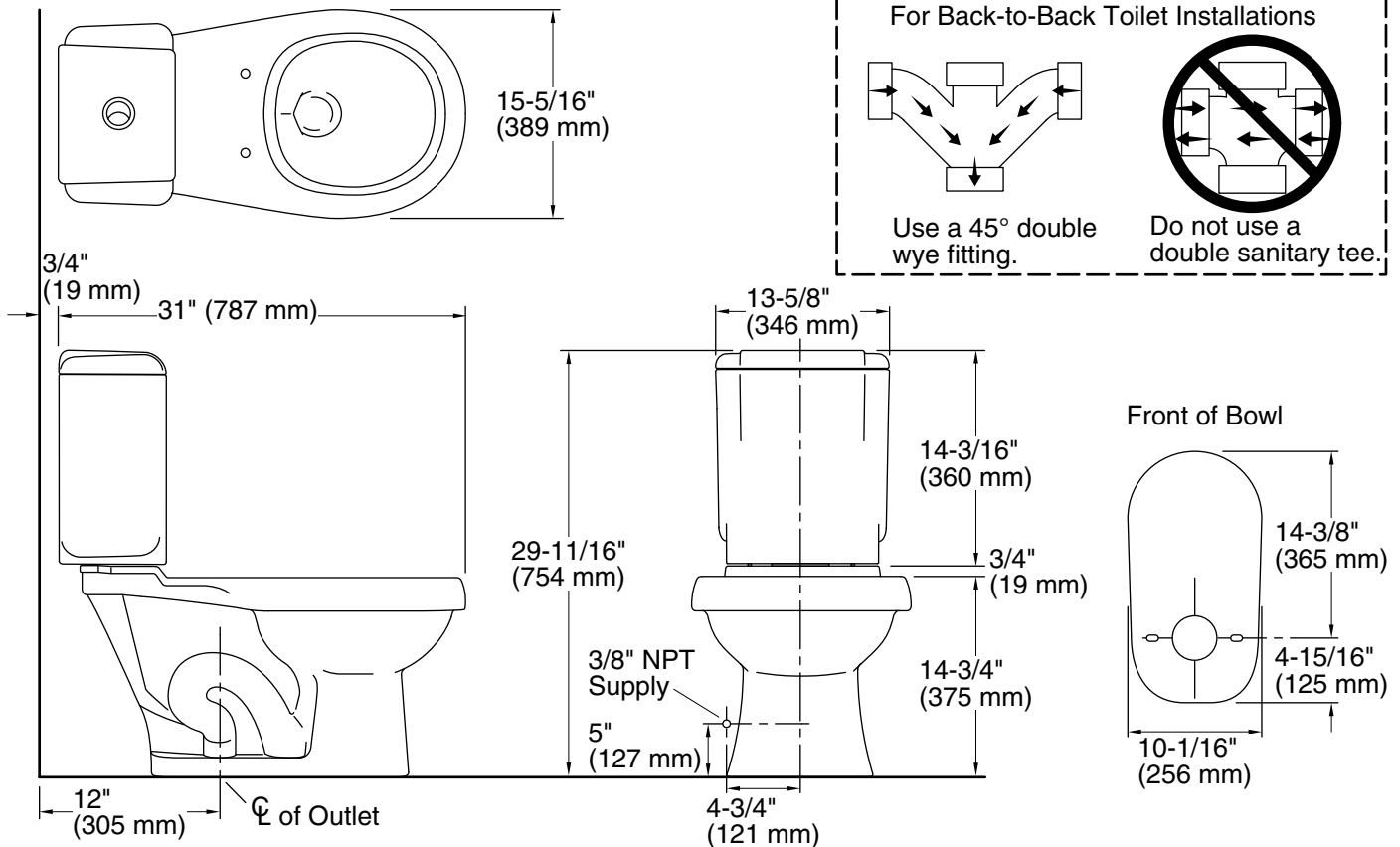
	0	White
--	---	-------

1-800-STERLING (1-800-783-7546)

Kohler Co. reserves the right to make revisions without notice to product specifications.

For the most current Specification Sheet, go to www.sterlingplumbing.com.

8-22-2020 07:55 - US



Technical Information

All product dimensions are nominal.

- Toilet type: Two-piece, Floor-mount
- Waste Outlet: Floor
- Bowl shape: Elongated
- Trap passageway: 2-1/2" (64 mm)
- Water Consumption
 - Full: 1.6 gpf (6 lpf)
 - Reduced: 0.8 gpf (3 lpf)
- Water surface size: 4-1/2" x 5-3/4" (114 mm x 146 mm)
- Rough-in: 12" (305 mm)
- Seat-mounting holes: 5-1/2" (140 mm)

Notes

- Install this product according to the installation instructions.
- Measure your actual product for roughing-in details.