



Southaven®

Top-mount Kitchen Sink
37047-3

Features

- Top-mount.
- Three faucet holes.
- 9-1/4"-deep single bowl.
- 3-5/8" drain opening.
- Stainless steel with satin deck and luster bowl finish.
- SilentShield® sound-absorption technology offers quieter performance.

Material

- Premium 18-gauge stainless steel.

Recommended Products/Accessories

- 7400 Sink Strainer
- K-23726 Drain treatment
- K-23729 Stainless steel cleaner

Included Components

- Product consists of:
- 1150001 Installation Clips

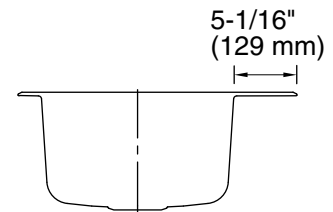
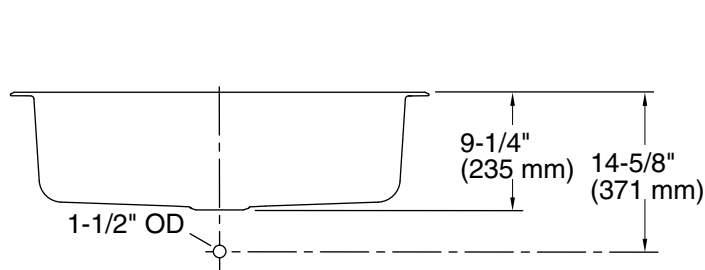
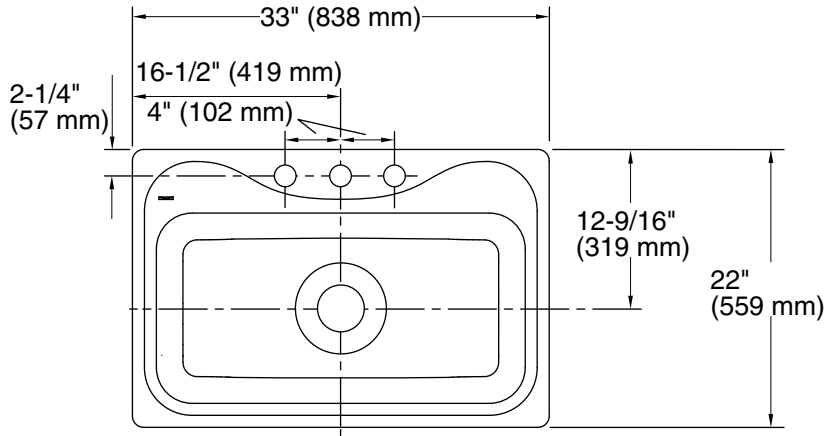


Codes/Standards

ASME A112.19.3/CSA B45.4

STERLING® Warranty - Stainless Steel Sinks

See website for detailed warranty information.



Technical Information

All product dimensions are nominal.

- Bowl configuration: Single
- Installation: Top-mount
- Min. base cabinet width: 36" (914 mm)
- Bowl area (Only): Length: 29-1/4" (743 mm)
Width: 15" (381 mm)
Bowl depth: 9-1/4" (235 mm)
Water depth: 9" (229 mm)
- Number of deck holes: 3
- Faucet hole(s): 1-7/16" (37 mm)
- Drain hole: 3-5/8" (92 mm)
- Template: 1032929-7, not required, not included

Notes

- Install this product according to the installation instructions.
- Measure your actual product for roughing-in details.