



**McAllister®**  
24" undermount single-bowl kitchen sink  
**32022**

**Features**

- 27" (686 mm) minimum base cabinet width
- Single bowl
- 5-1/2" (140 mm) depth
- No faucet holes; requires wall- or counter-mount faucet
- Rear drain increases workspace in the sink and allows for more storage space underneath the sink
- Includes installation hardware
- Sink drain with strainer sold separately

**Material**

- Premium 18-gauge stainless steel

**Installation**

- Undermount

**Recommended Products/Accessories**

- K-23726 Drain treatment
- K-23729 Stainless steel cleaner
- 7400 Stainless Steel Sink Drain and Strainer



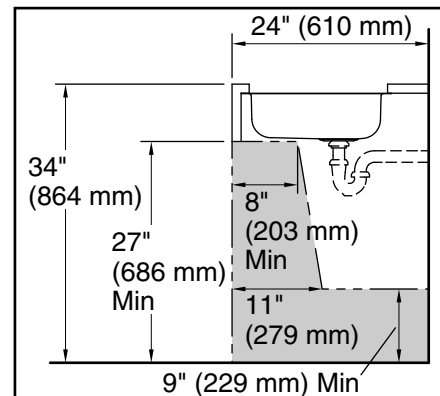
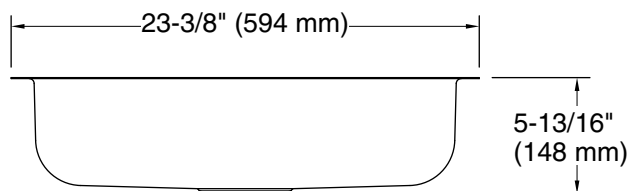
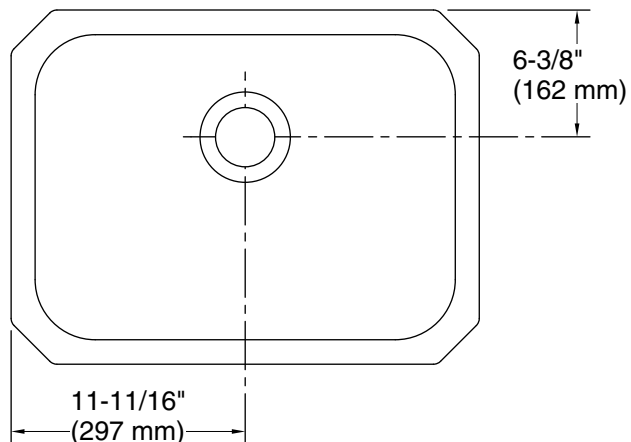
**ADA**

**Codes/Standards**

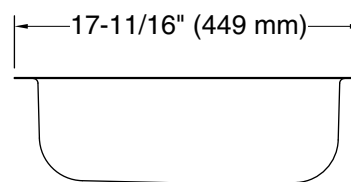
- ASME A112.19.3/CSA B45.4
- ADA
- ICC/ANSI A117.1
- IAPMO Certification

**STERLING® Stainless Steel Sinks  
Lifetime Limited Warranty**

See website for detailed warranty information.



**Recommended ADA Installation**



**Technical Information**

All product dimensions are nominal.

Bowl configuration: Single

Min. base cabinet width: 27" (686 mm)

Bowl area (Only): Length: 21" (533 mm)  
Width: 15-1/4" (387 mm)  
Bowl depth: 5-1/2" (140 mm)  
Water depth: 5-1/2" (140 mm)

Drain hole: 3-5/8" (92 mm)

Template: Undermount, 1315840-7, required, included

**Notes**

Install this product according to the installation instructions.

ADA compliant when installed to the specific requirements of these regulations.